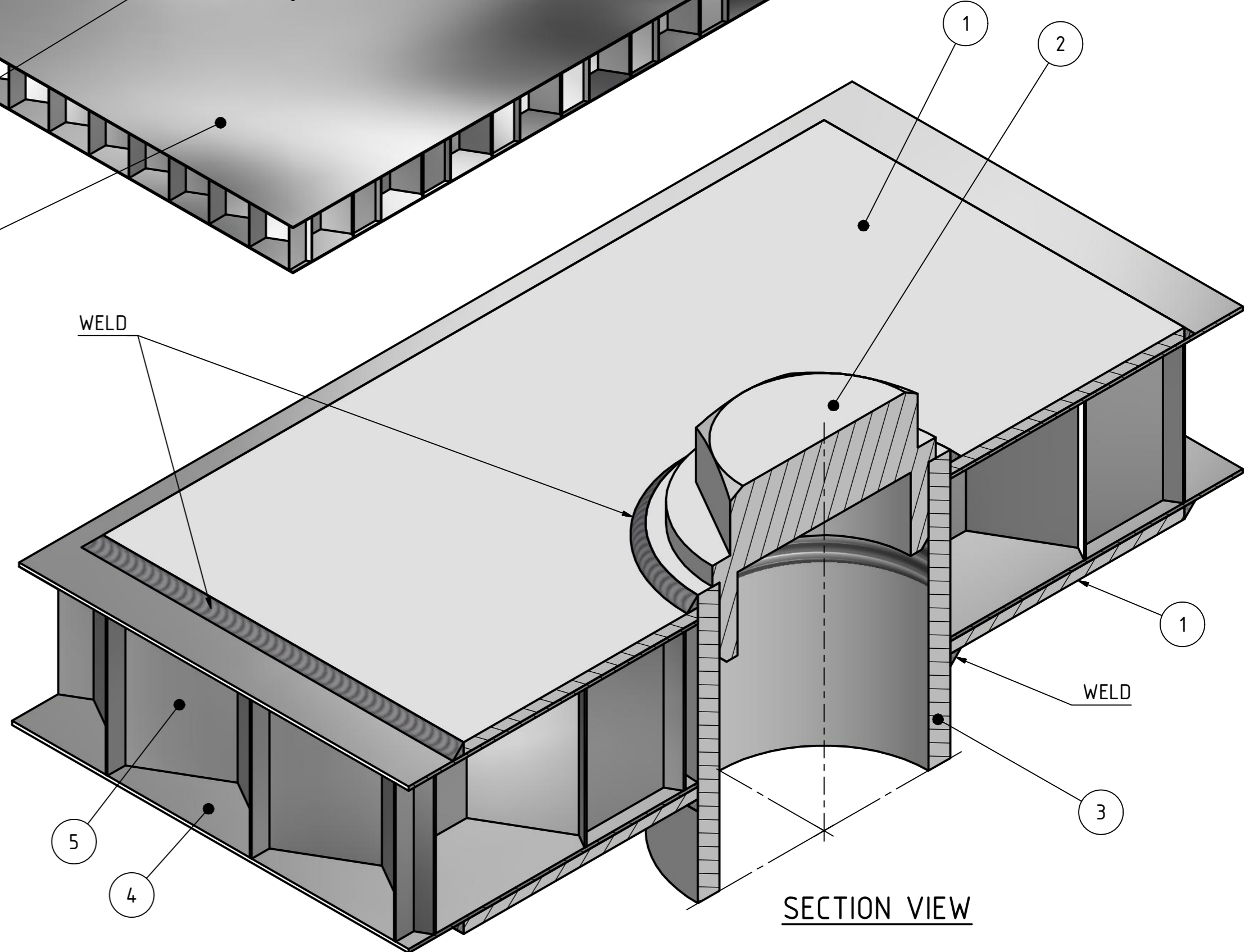
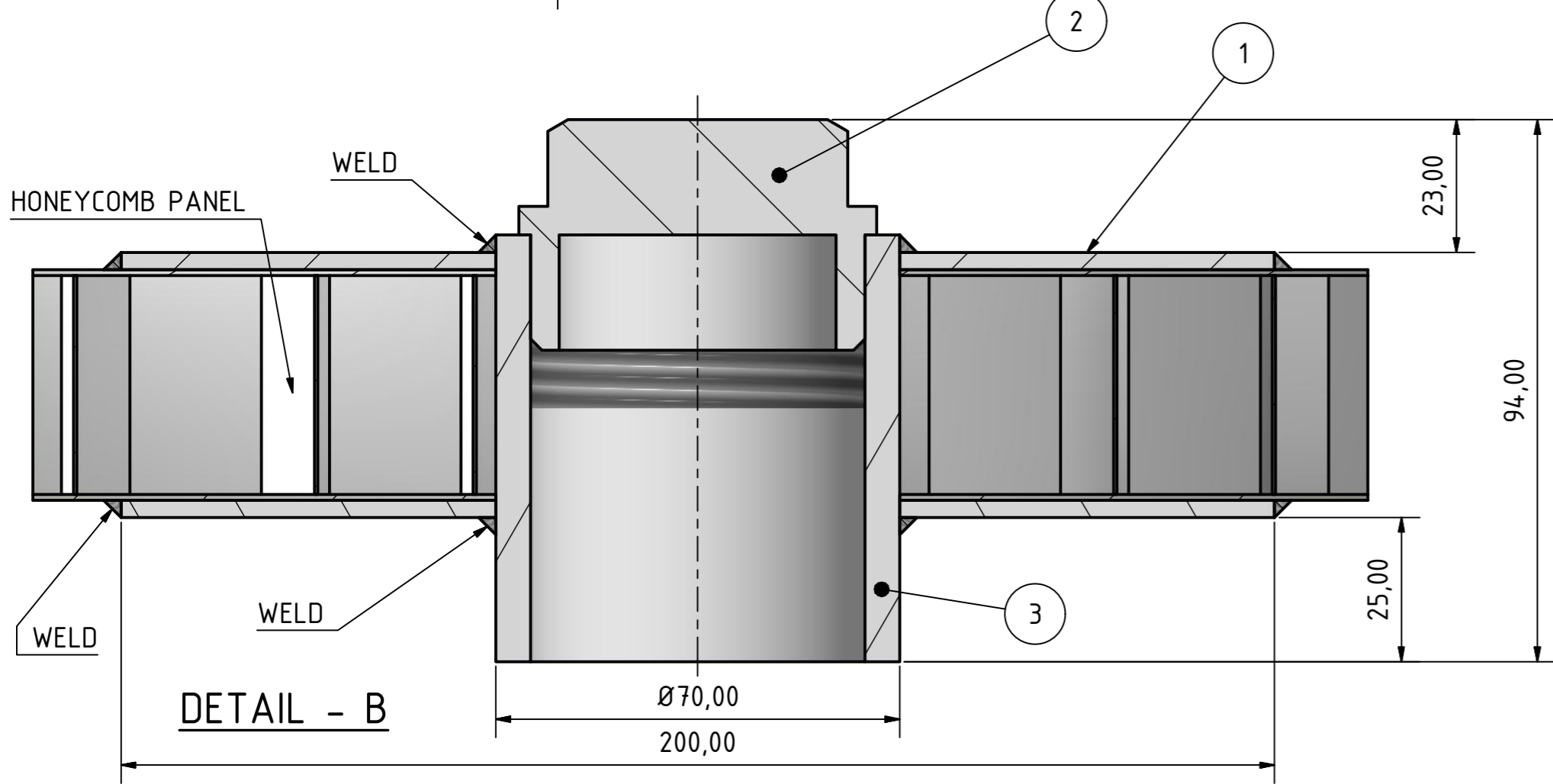
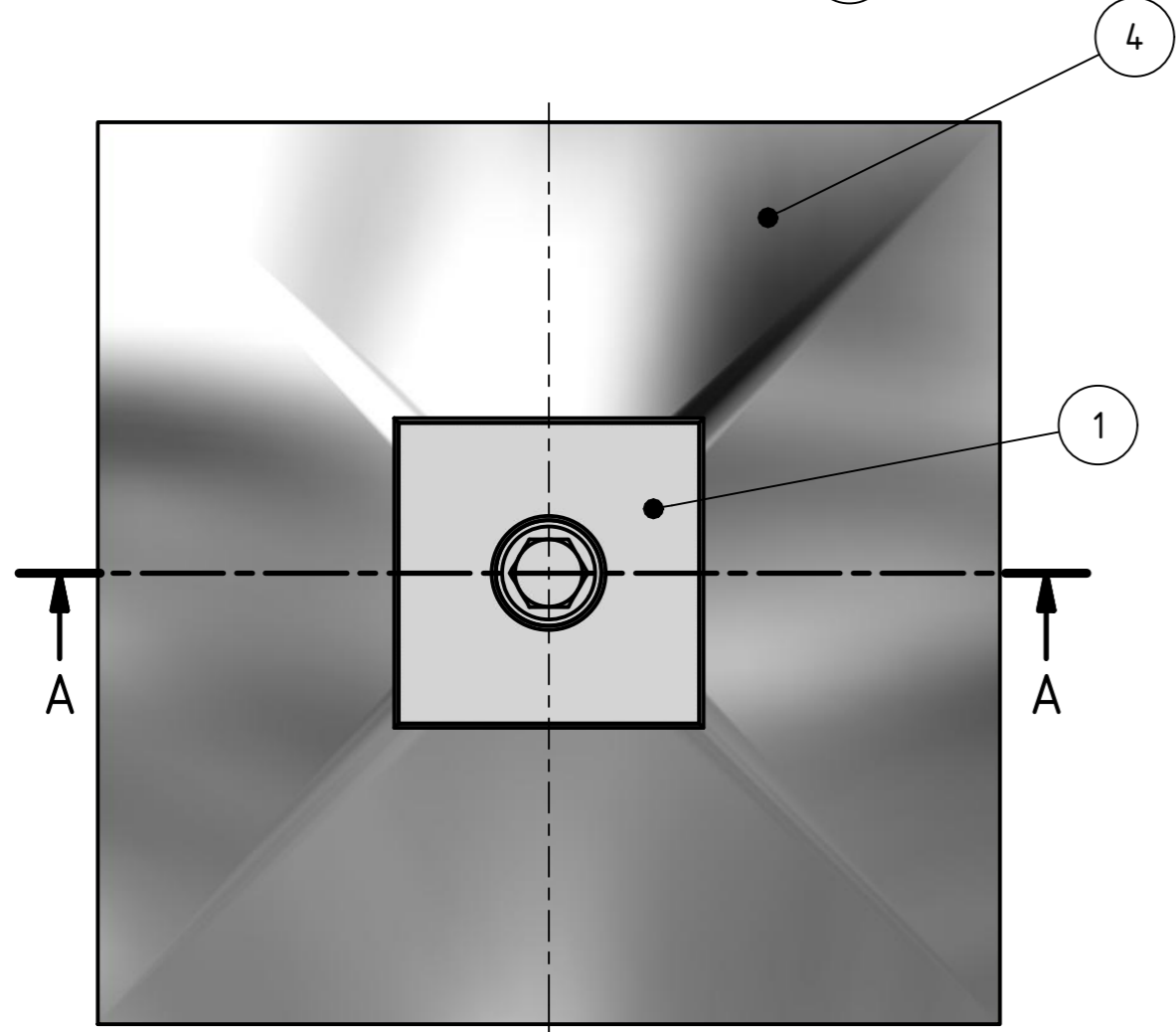
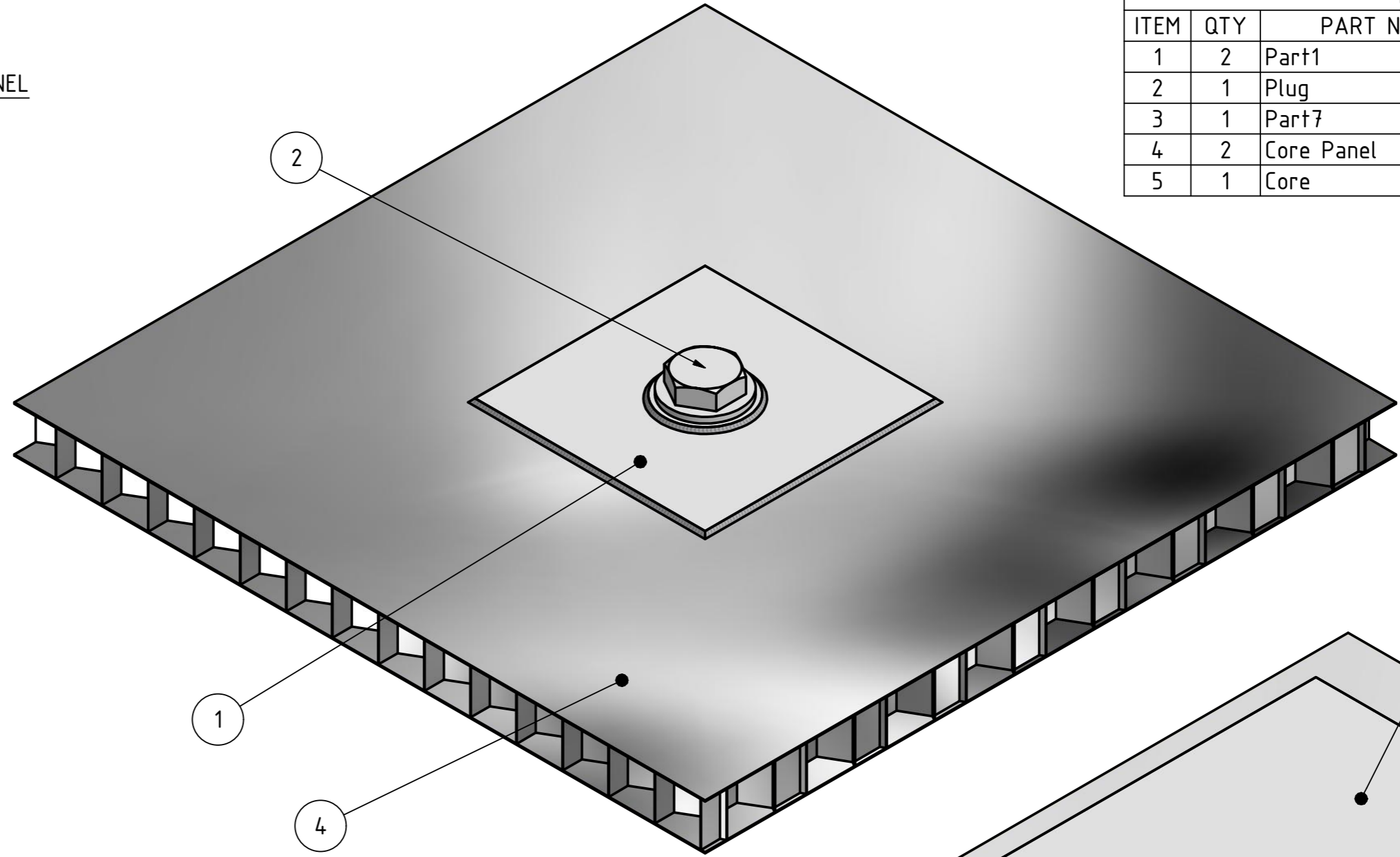
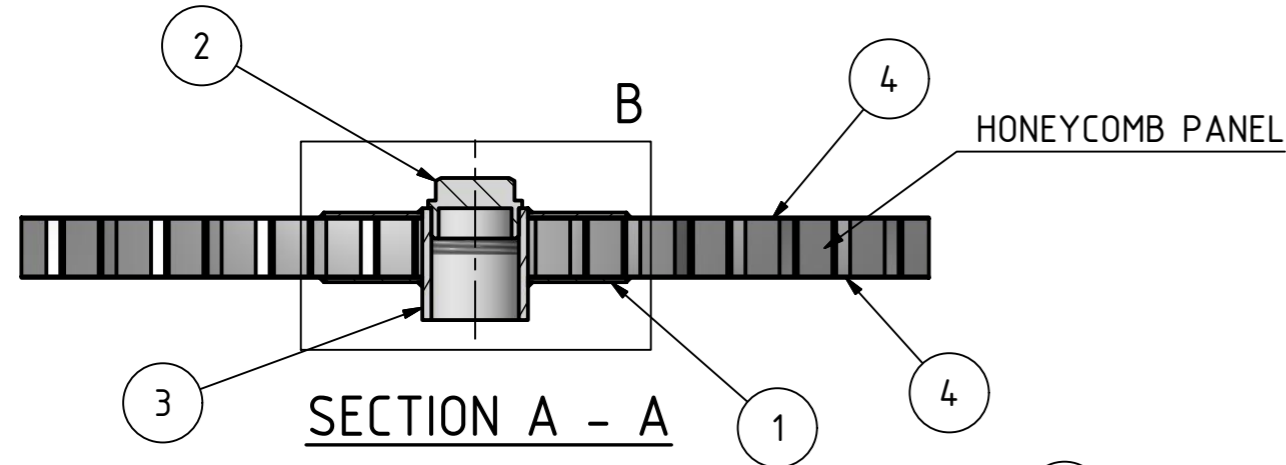


PARTS LIST			
ITEM	QTY	PART NUMBER	DESCRIPTION
1	2	Part1	Aluminium
2	1	Plug	Aluminium
3	1	Part7	Aluminium
4	2	Core Panel	Aluminium
5	1	Core	Aluminium



**AKTEK**  
 AKTEK TECHNOLOGY ENGINEERING CO.LTD.  
 Kocaeli - TURKEY  
 Tel : +90.262.335-1598 / 1599  
 Fax : +90.262.335-1567  
 E-Mail : info@aktekeng.com

DRAWN	Murat YAVUZ				
CHECKED	Ihsan AKGUN				
APPROVED					
FORMAT	DWG	SCALE			
DRAWING NO :		REVISION NO			
JOB NO :		REV.	DESCRIPTION	NAME	DATE
REVISIONS					

**ATECO**  
 TANK TECHNOLOGIES  
 Equipments-Services-Engineering  
 www.ateco.com.tr

THIS DRAWING IS THE PROPERTY OF AKTEK. IT IS NOT TO BE TRACED, COPIED OR PUBLISHED WITHOUT THEIR WRITTEN CONSENT OR TO BE MISUSED IN ANY WAY.

PROJECT		CHECKED	
OWNER		APPROVED	
CLIENT		DATE	
DESCRIPTION :	<b>DRAIN PLUG</b>		DOCUMENT NO :
	<b>GENERAL ARRANGEMENT DRAWING</b>		X
		PURCHASE NO :	REVISION NO
		X	0