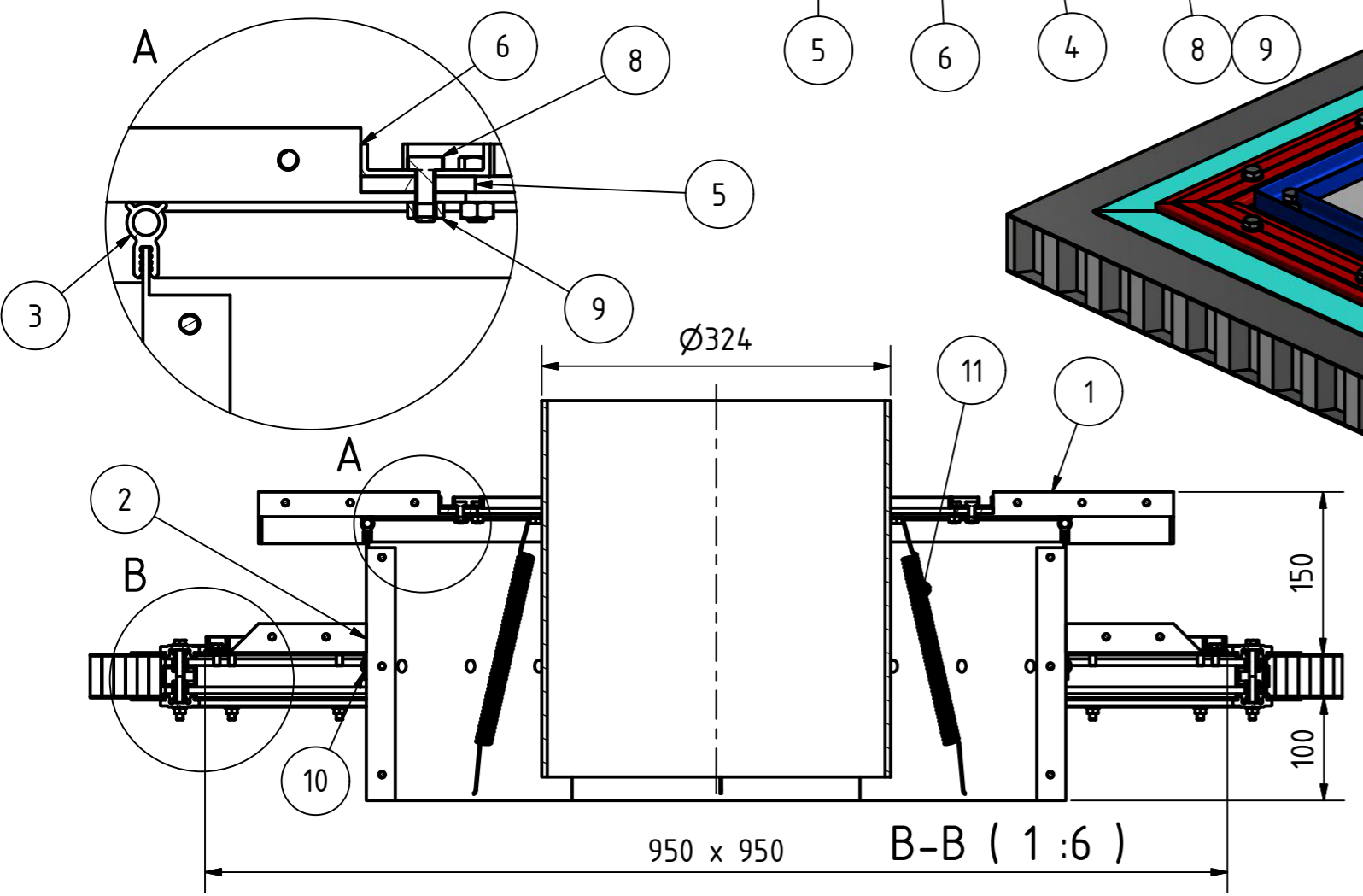
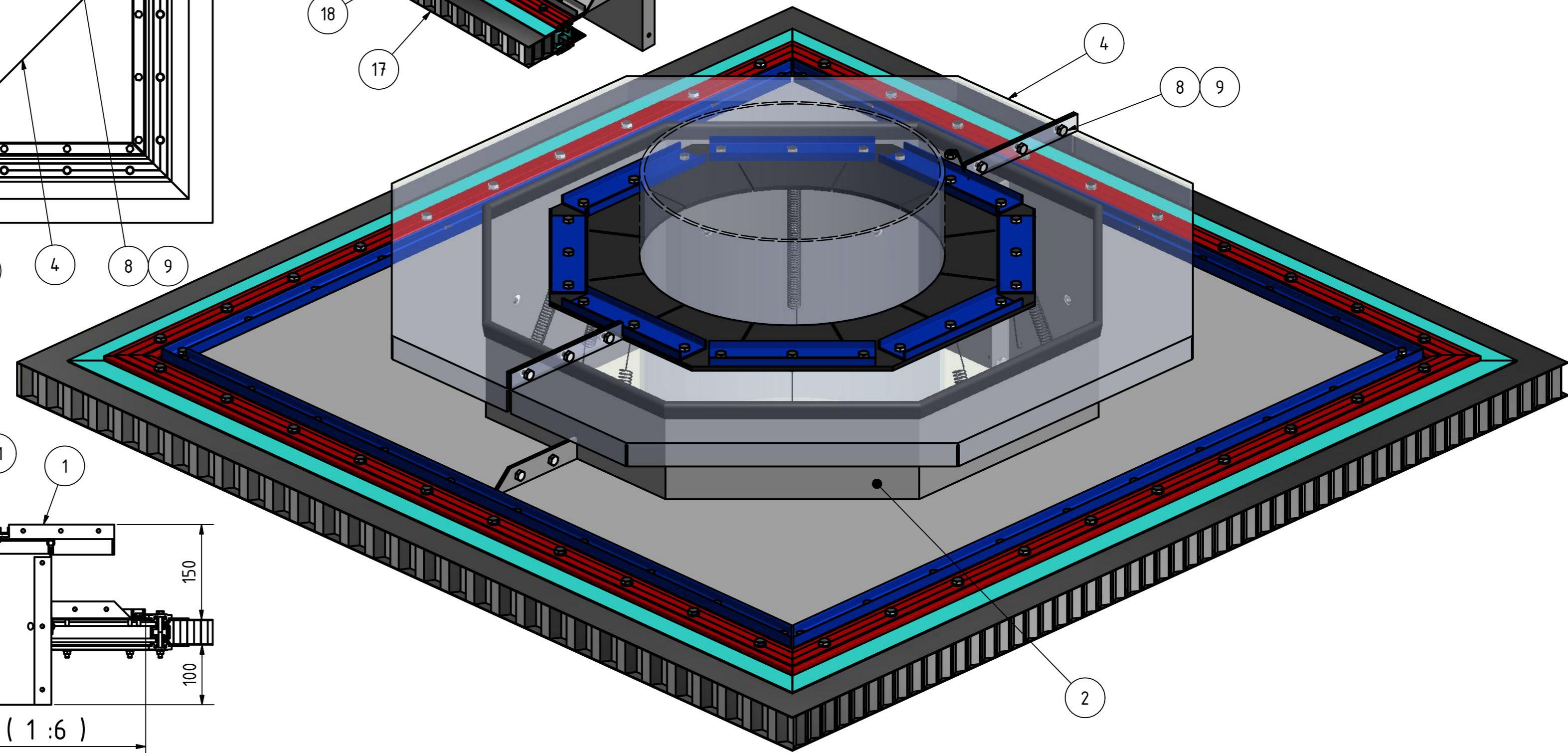
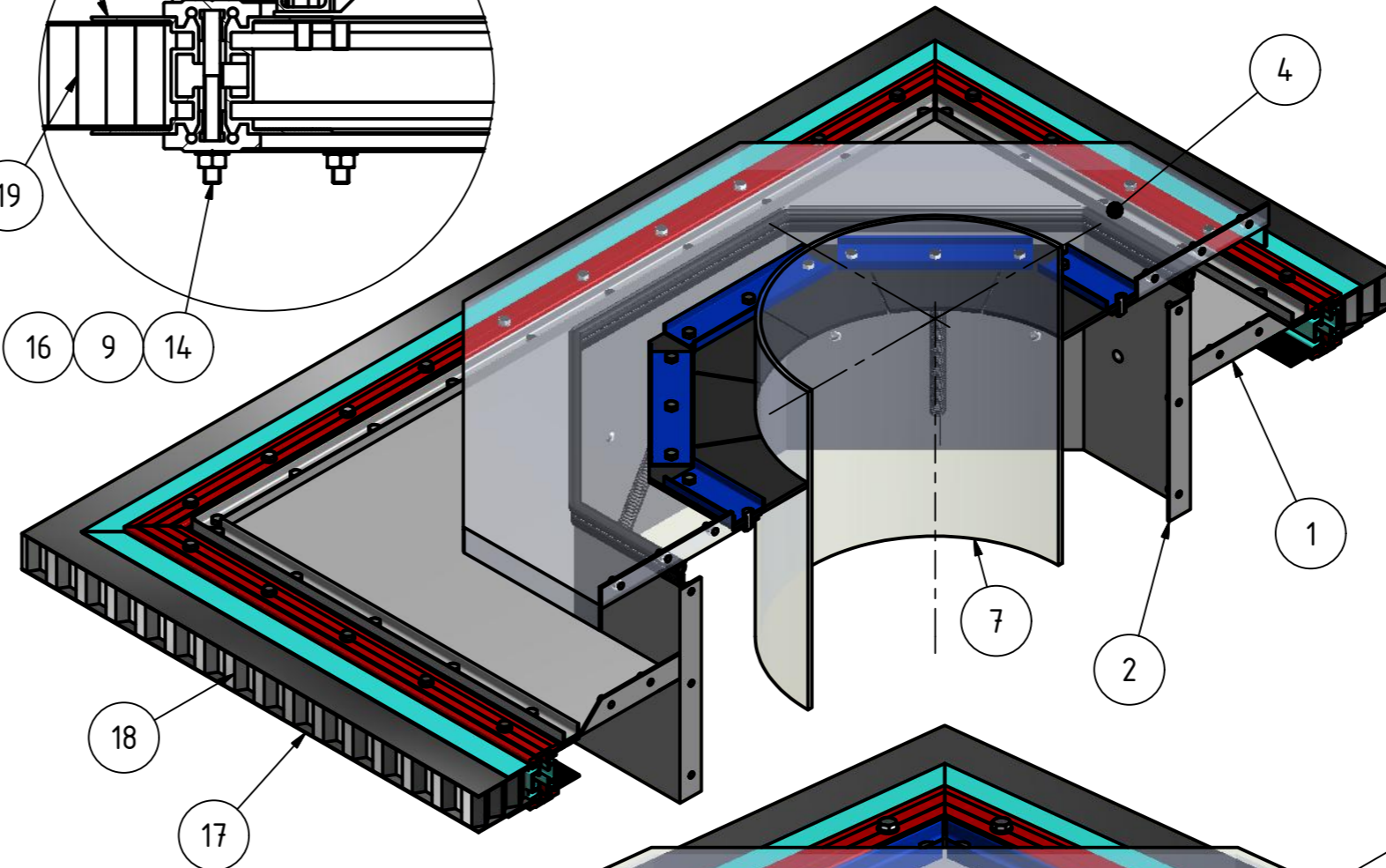
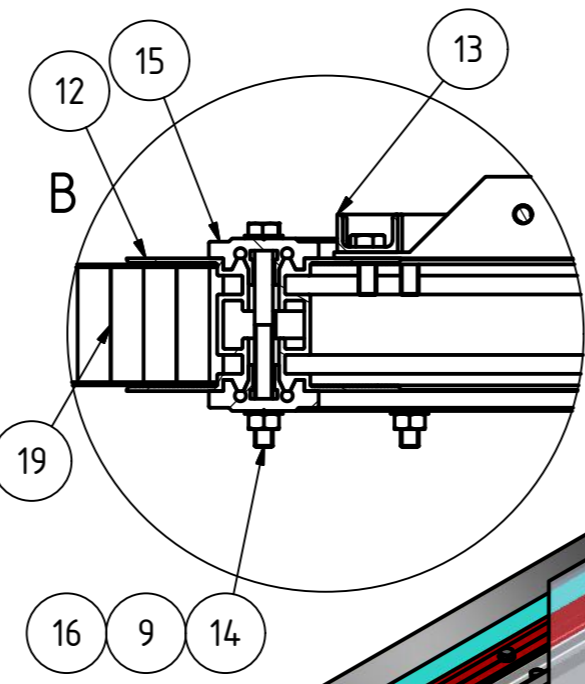
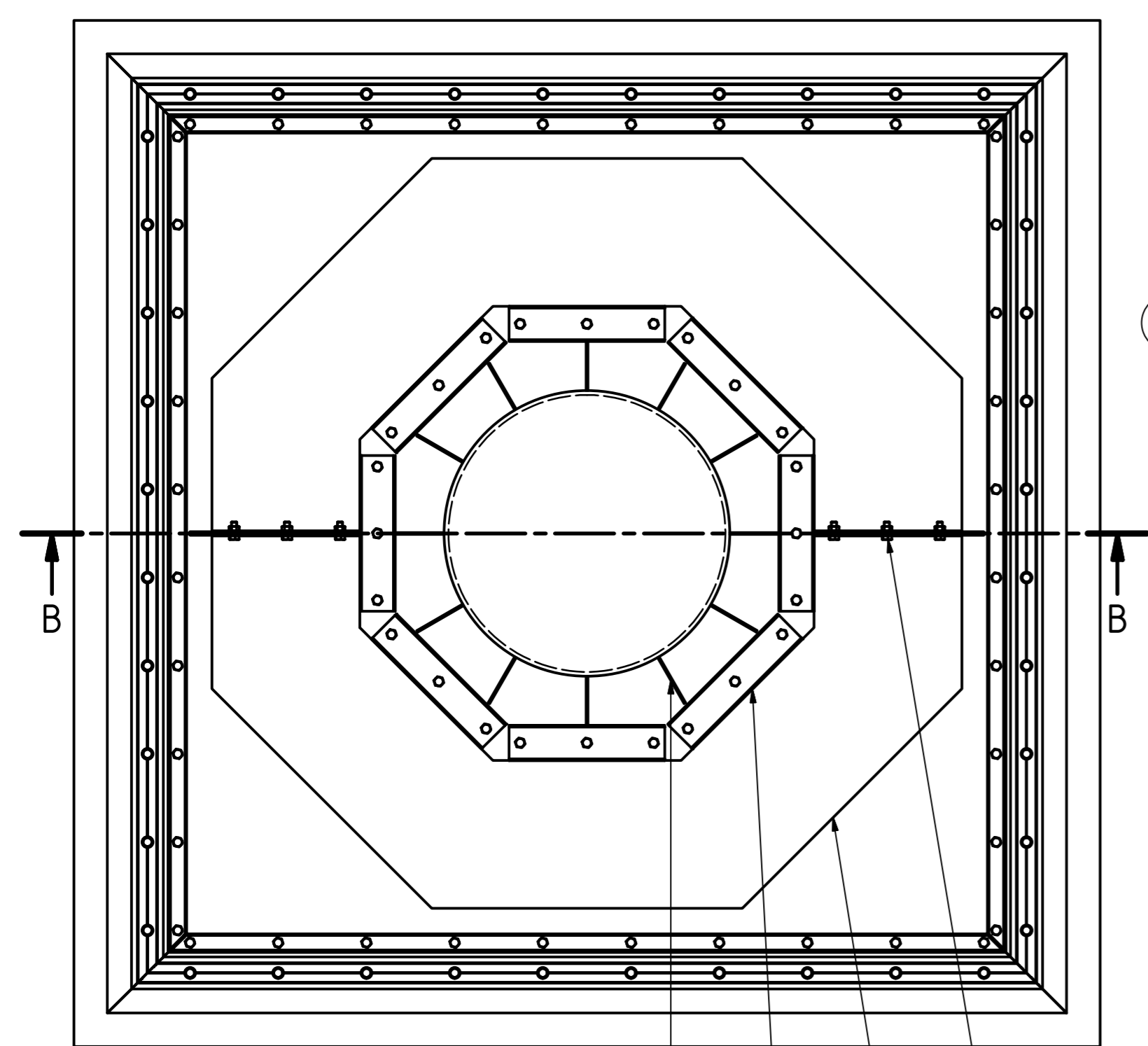


PARTS LIST			
ITEM	QTY	PART NUMBER	MATERIAL
1	2	Well Half	Aluminium
2	2	Seal Plate Half	Aluminium
3	8	Edge Seal Moulding	PVC Nitrile
4	2	Seal Plate Half	Aluminium
5	1	Column Seal Elastomer	N.B.R.
6	8	Column Well Seal Clamp	Aluminium
7	1	Column	-
8	38	M6 Bolt	Stainless Steel
9	38	M6 Nut	Stainless Steel
10	22	Rivet	Stainless Steel
11	8	Centralising Spring	SS316
12	4	FCR Profile	Aluminium
13	4	U Profile	Aluminium
14	40	M& x 70 Bolt	Stainless Steel
15	8	Clamp	Aluminium
16	120	M6 Washer	Stainless Steel
17	2	Core Panel	Aluminium
18	1	Core	Aluminium



**AKTEK**  
 AKTEK TECHNOLOGY ENGINEERING CO.LTD.  
 Kocaeli - TURKEY  
 Tel : +90.262.335-1598 / 1599  
 Fax : +90.262.335-1567  
 E-Mail : info@aktekeng.com

DRAWN	Murat YAVUZ				
CHECKED	Ihsan AKGUN				
APPROVED					
FORMAT	DWG	SCALE			
DRAWING NO :		REVISION NO			
JOB NO :		REV.	DESCRIPTION	NAME	DATE
REVISIONS					

**ATECO**  
 TANK TECHNOLOGIES  
 Equipments-Services-Engineering  
 www.ateco.com.tr

THIS DRAWING IS THE PROPERTY OF AKTEK. IT IS NOT TO BE TRACED, COPIED OR PUBLISHED WITHOUT THEIR WRITTEN CONSENT OR TO BE MISUSED IN ANY WAY.

PROJECT		CHECKED	
OWNER		APPROVED	
CLIENT		DATE	
DESCRIPTION :	<b>COLUMN WELL ASSEMBLY</b> <b>GENERAL ARRANGEMENT DRAWING</b>		DOCUMENT NO : X PURCHASE NO : X
		REVISION NO	0