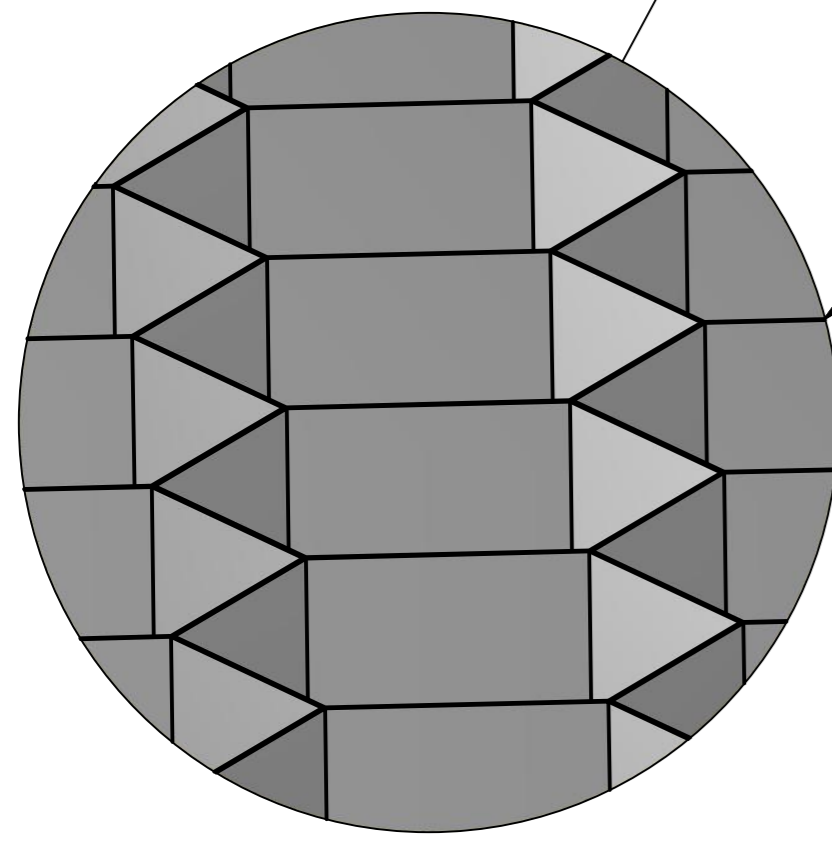
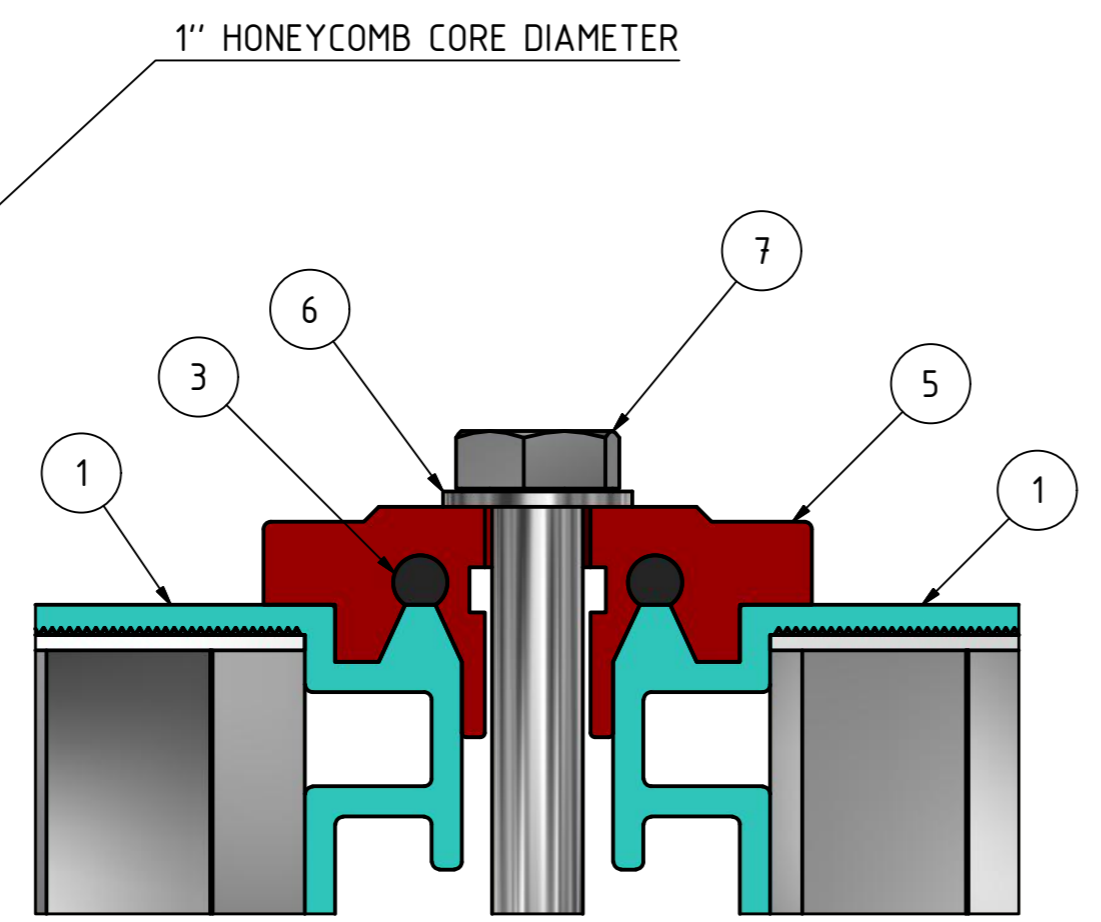


40mm HONEYCOMB PANEL
 TOP/BOTTOM : ALUMINIUM AL-3003 & 0,5 mm
 CORE : 1" ALUMINIUM AL-3003 & 0,15 mm
 FIRE RESIST

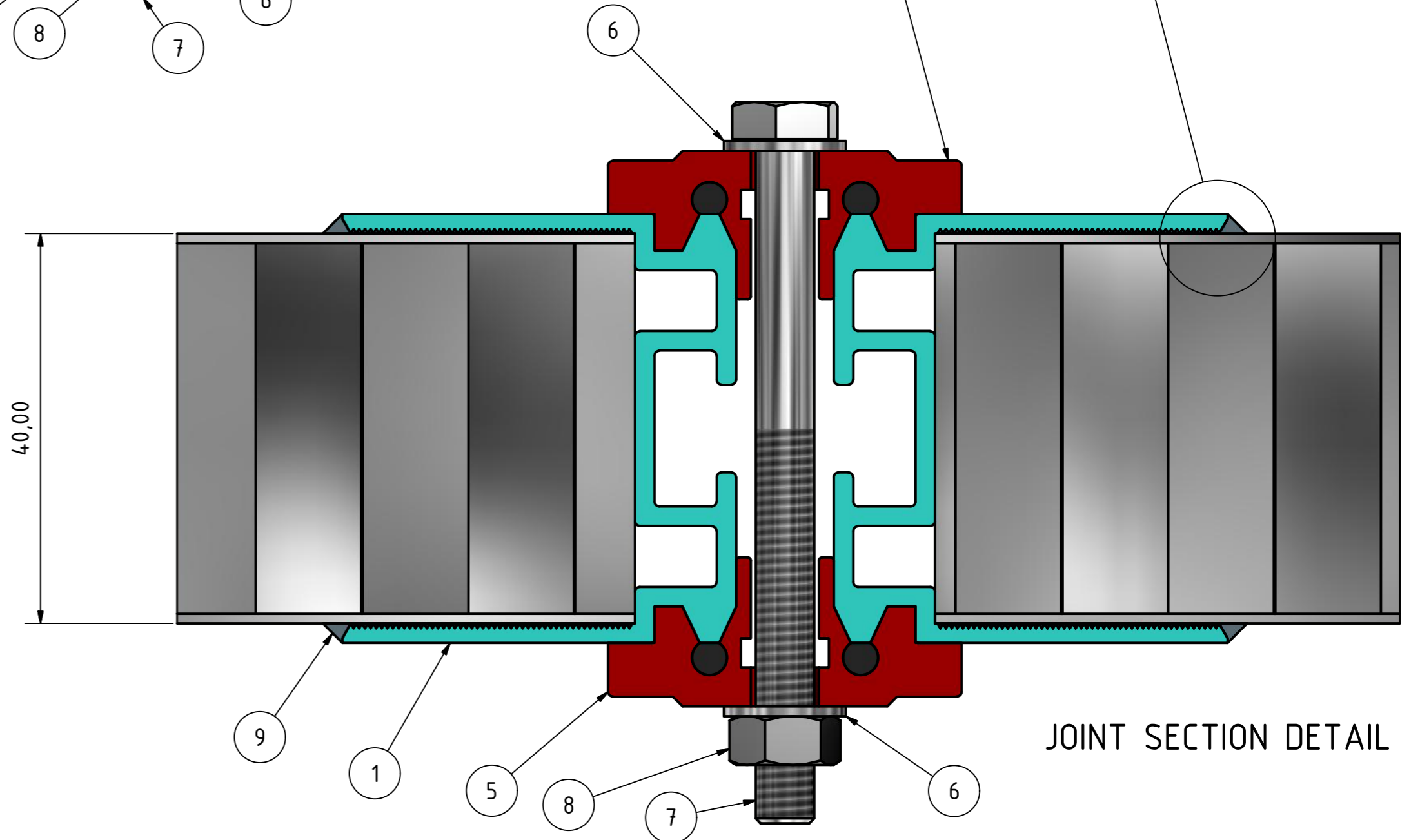
PARTS LIST			
ITEM	QTY	PART NUMBER	DESCRIPTION
1	4	Panel Profile	Aluminium
2	3	Panel Top/Bottom Sheet	Aluminium
3	4	Joint Seal	Viton
4	2	Panel Core	Aluminium
5	2	Clamp Profile	Aluminium
6	8	M6 Washer	Stainless Steel
7	4	M6 x 70 Bolt	Stainless Steel
8	4	M6 Nut	Stainless Steel
9	-	Glue	Polysulfide



CORE DETAIL



1" HONEYCOMB CORE DIAMETER



JOINT SECTION DETAIL

AKTEK
 AKTEK TECHNOLOGY ENGINEERING CO.LTD.
 Kocaeli - TURKEY
 Tel : +90.262.335-1598 / 1599
 Fax : +90.262.335-1567
 E-Mail : info@aktekeng.com

DRAWN	Murat YAVUZ				
CHECKED	Ihsan AKGUN				
APPROVED					
FORMAT	DWG	SCALE			
DRAWING NO :		REVISION NO			
JOB NO :		REV.	DESCRIPTION	NAME	DATE
REVISIONS					

ATECO
 TANK TECHNOLOGIES
 Equipments-Services-Engineering
 www.ateco.com.tr

THIS DRAWING IS THE PROPERTY OF AKTEK. IT IS NOT TO BE TRACED, COPIED OR PUBLISHED WITHOUT THEIR WRITTEN CONSENT OR TO BE MISUSED IN ANY WAY.

PROJECT		CHECKED	
OWNER		APPROVED	
CLIENT		DATE	
DESCRIPTION : ATECO FC ALUMINIUM INTERNAL FLOATING ROOF ROOF JOINT DETAIL		DOCUMENT NO :	REVISION NO
		X	0
		PURCHASE NO :	
		X	