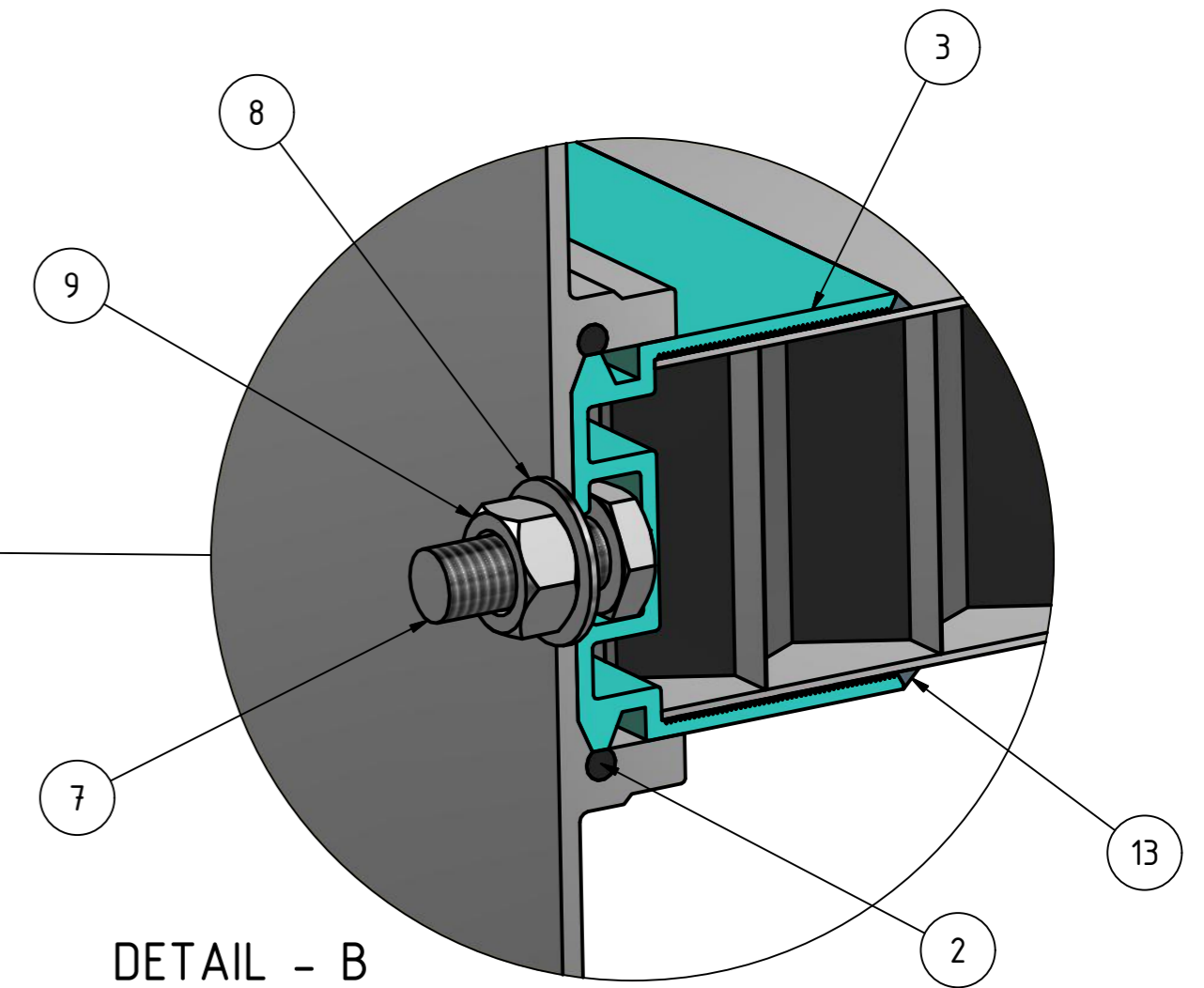
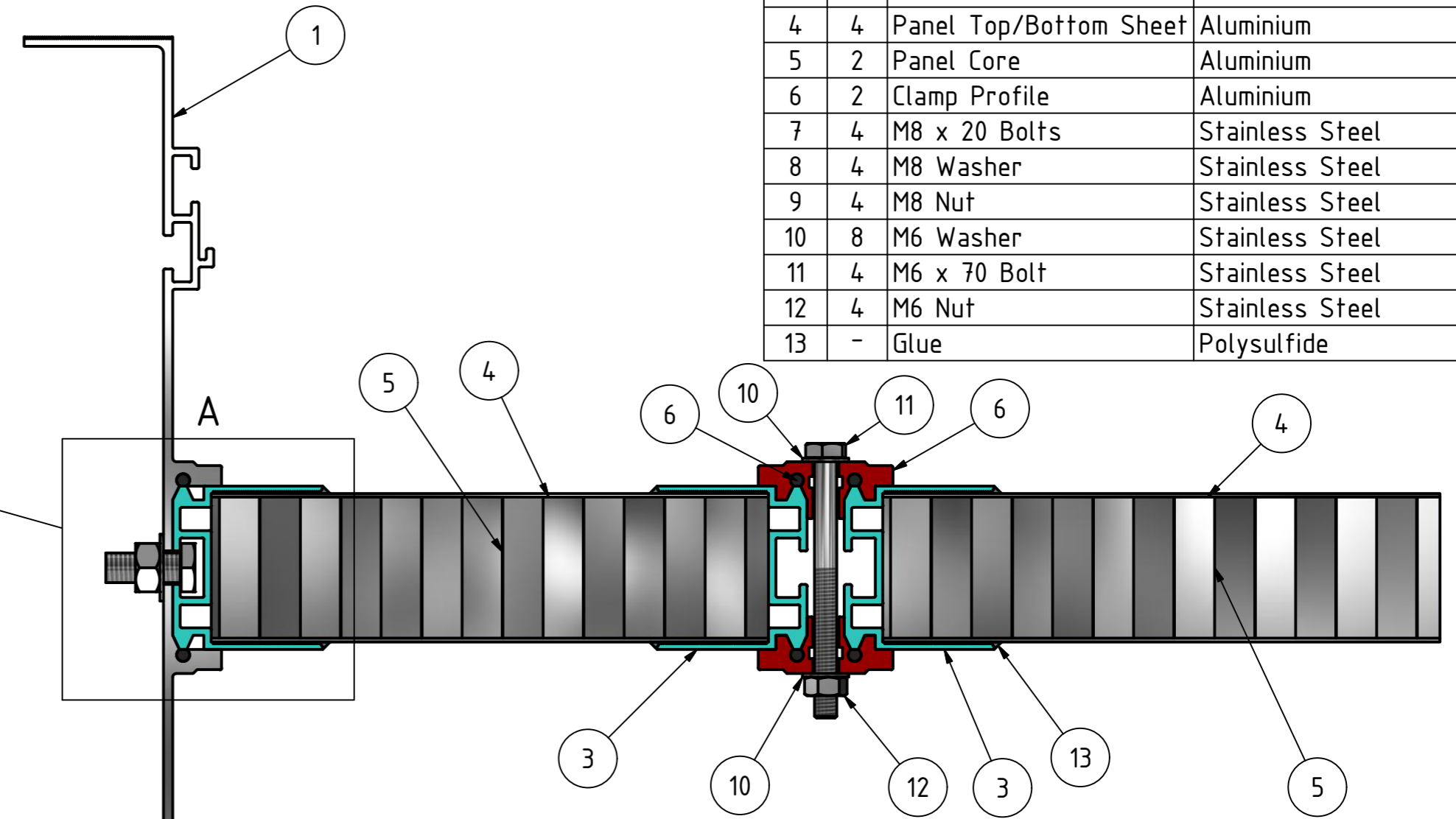
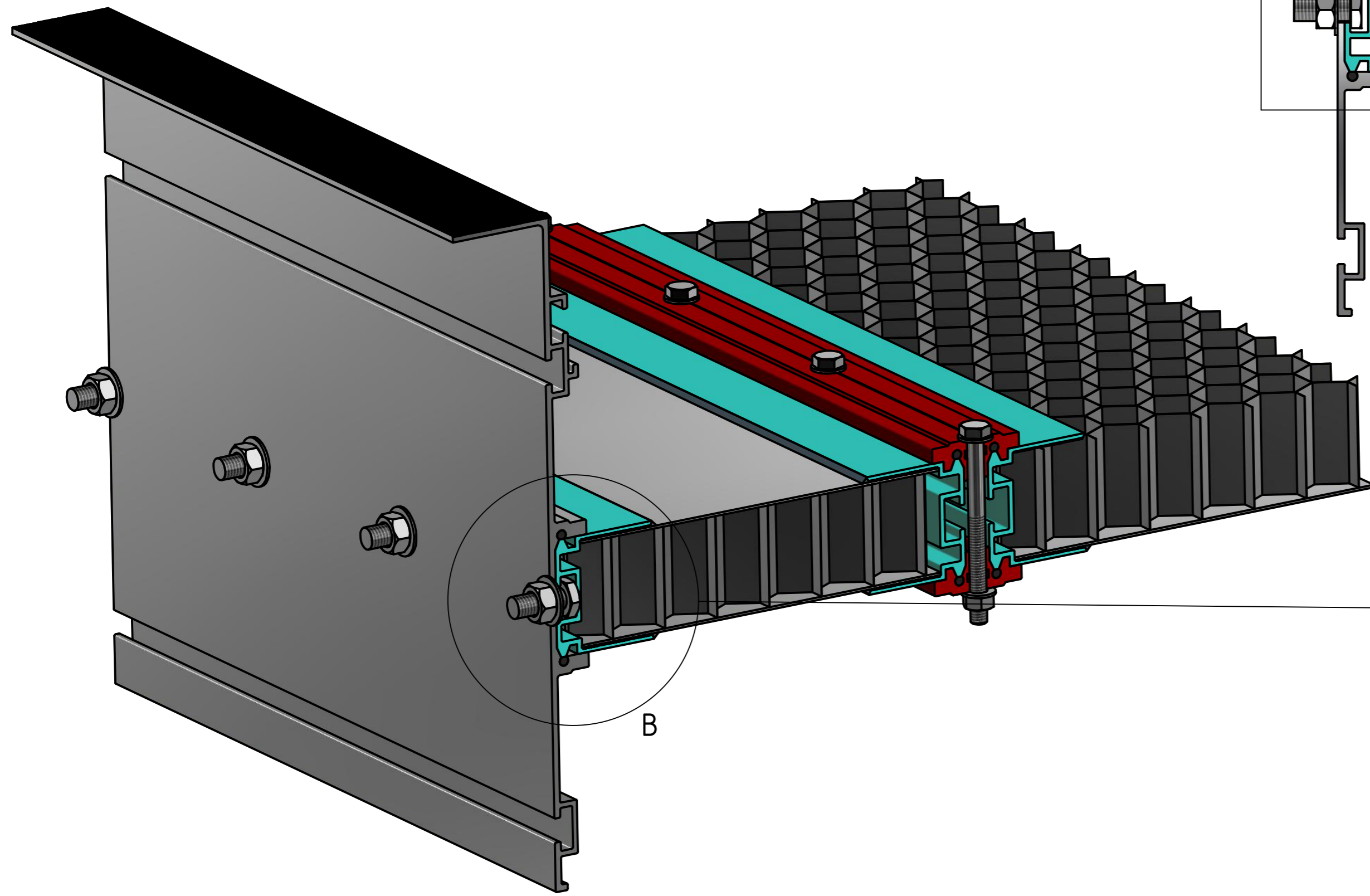
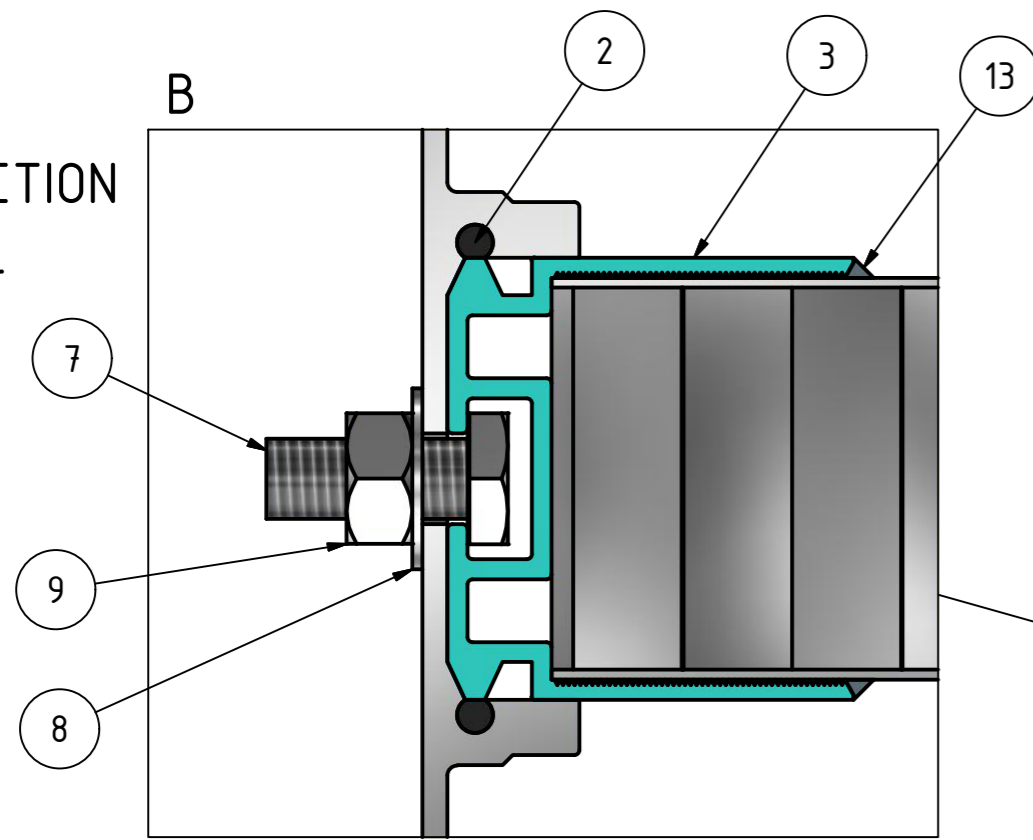


JOINT SECTION
DETAIL



DETAIL - B

PARTS LIST			
ITEM	QTY	PART NUMBER	DESCRIPTION
1	1	Rim Profile	Aluminium
2	6	Joint Seal	Viton
3	3	Panel Profile	Aluminium
4	4	Panel Top/Bottom Sheet	Aluminium
5	2	Panel Core	Aluminium
6	2	Clamp Profile	Aluminium
7	4	M8 x 20 Bolts	Stainless Steel
8	4	M8 Washer	Stainless Steel
9	4	M8 Nut	Stainless Steel
10	8	M6 Washer	Stainless Steel
11	4	M6 x 70 Bolt	Stainless Steel
12	4	M6 Nut	Stainless Steel
13	-	Glue	Polysulfide



AKTEK TECHNOLOGY ENGINEERING CO.LTD.
Kocaeli - TURKEY
Tel : +90.262.335-1598 / 1599
Fax : +90.262.335-1567
E-Mail : info@aktekeng.com

DRAWN	Murat YAVUZ				
CHECKED	Ihsan AKGUN				
APPROVED					
FORMAT	DWG	SCALE			
DRAWING NO :		REVISION NO			
JOB NO :		REV.	DESCRIPTION	NAME	DATE
REVISIONS					



THIS DRAWING IS THE PROPERTY OF AKTEK.
IT IS NOT TO BE TRACED, COPIED OR PUBLISHED WITHOUT THEIR WRITTEN CONSENT OR TO BE MISUSED IN ANY WAY.

PROJECT		CHECKED	
OWNER		APPROVED	
CLIENT		DATE	
DESCRIPTION	ATECO FC ALUMINIUM INTERNAL FLOATING ROOF ROOF JOINT DETAIL		
DOCUMENT NO :	X	REVISION NO	0
PURCHASE NO :	X		