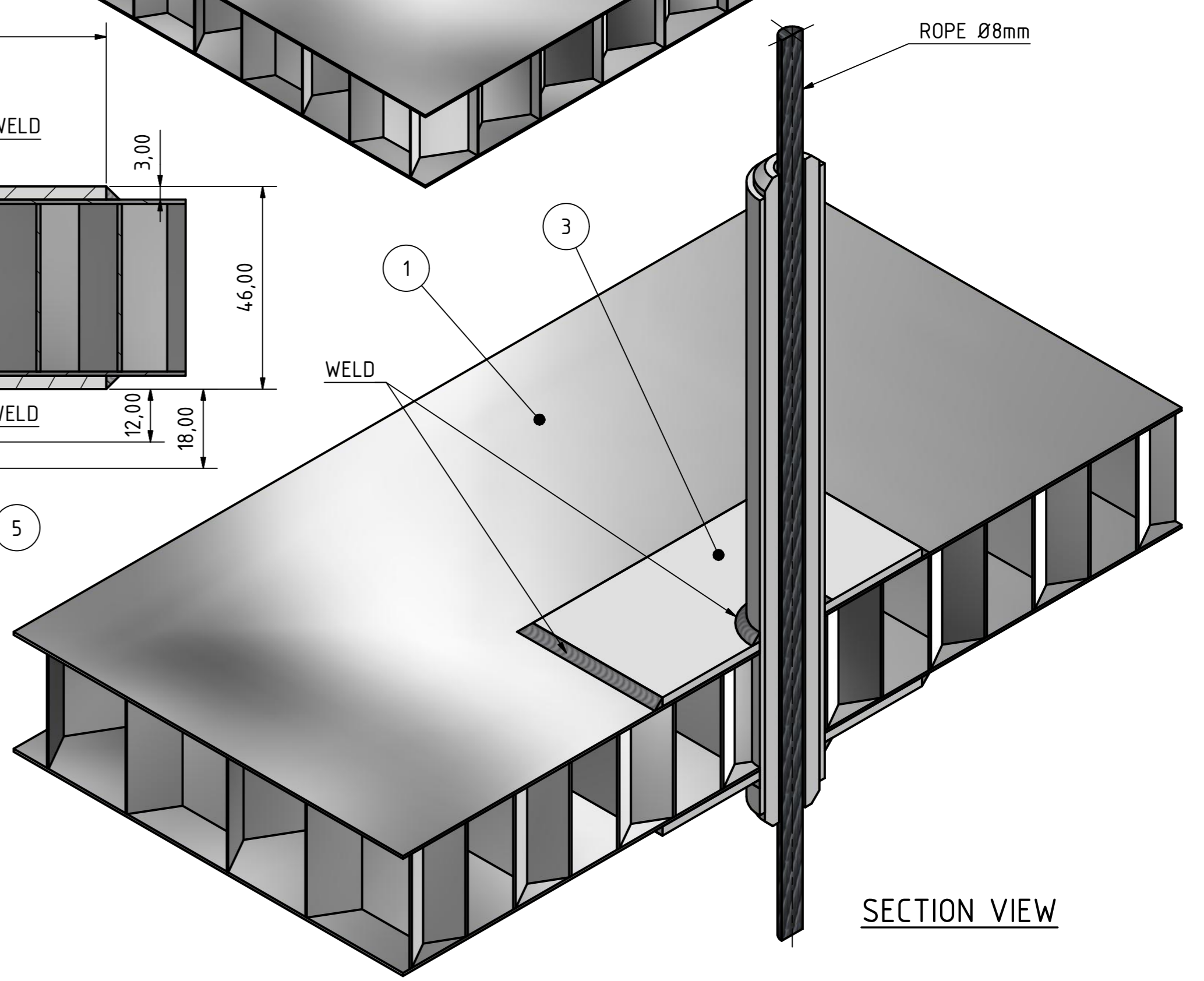
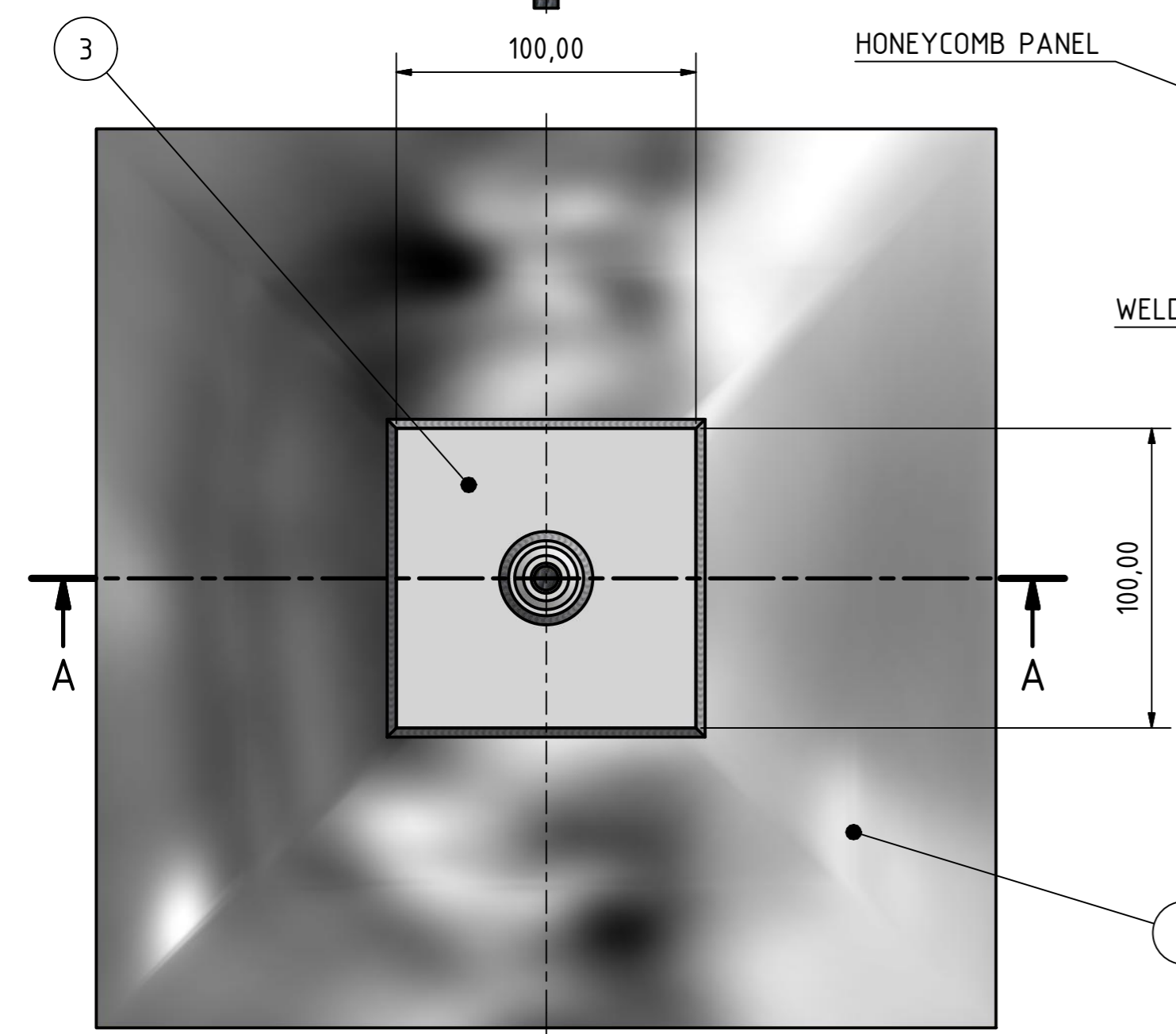
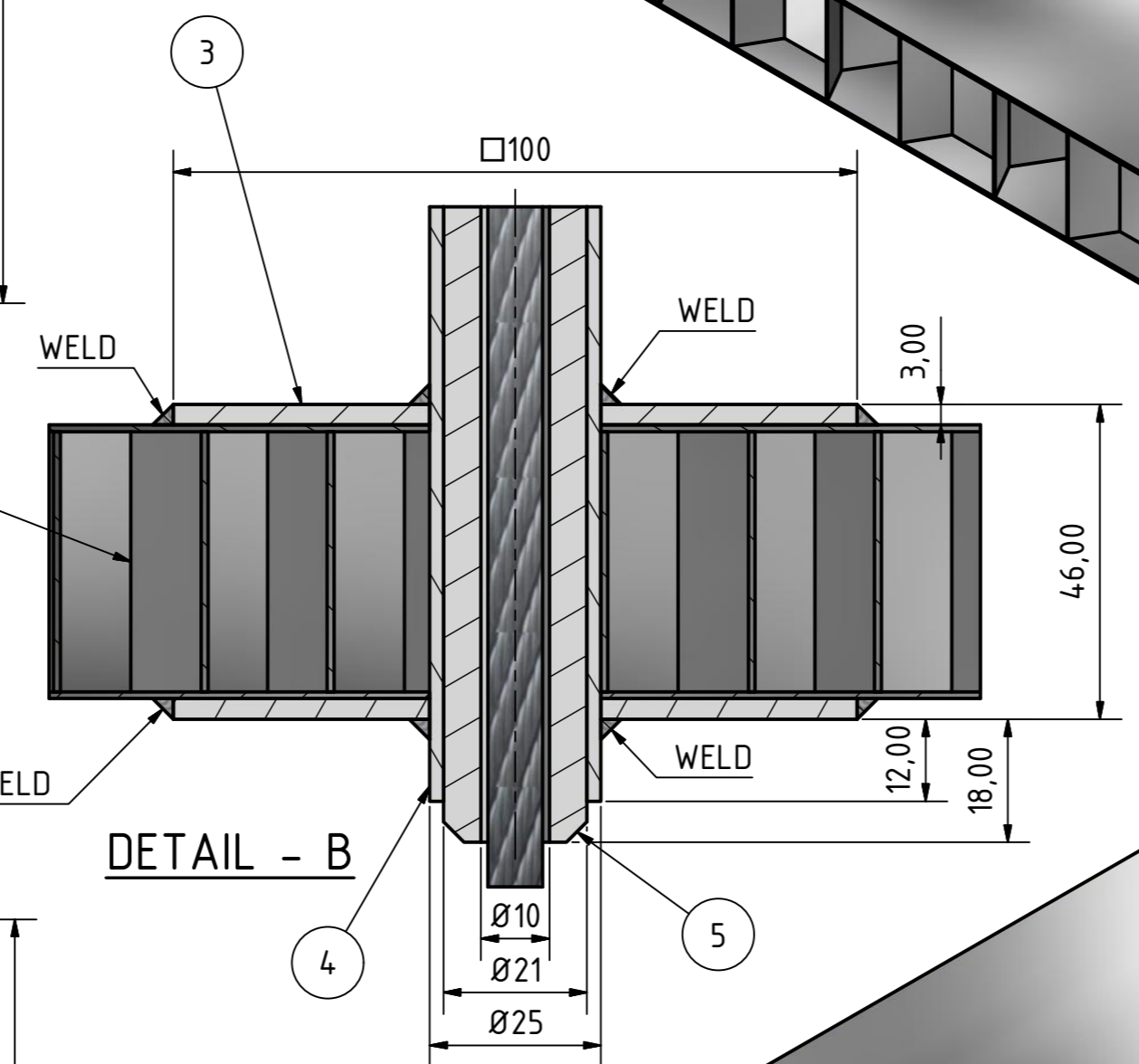
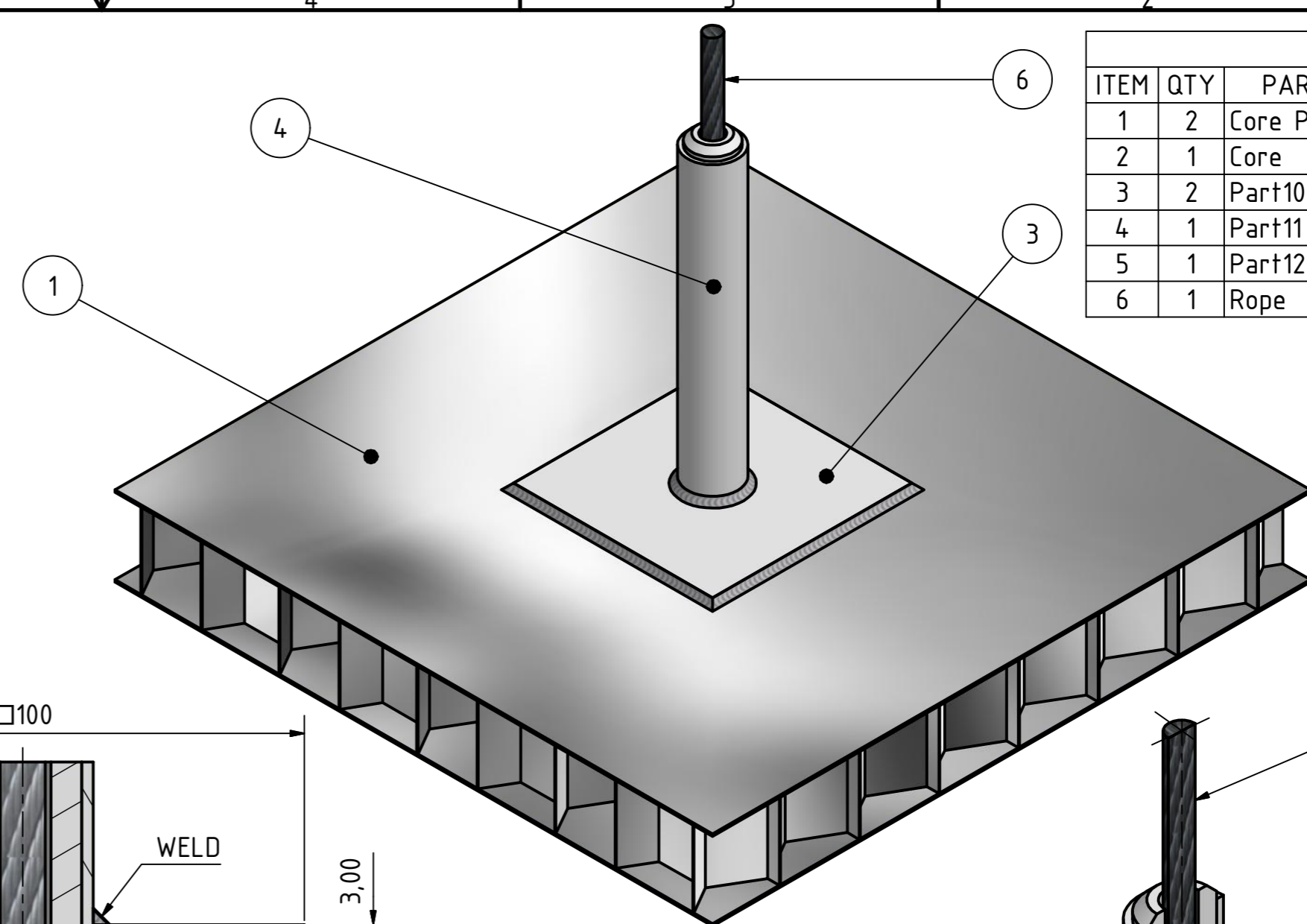
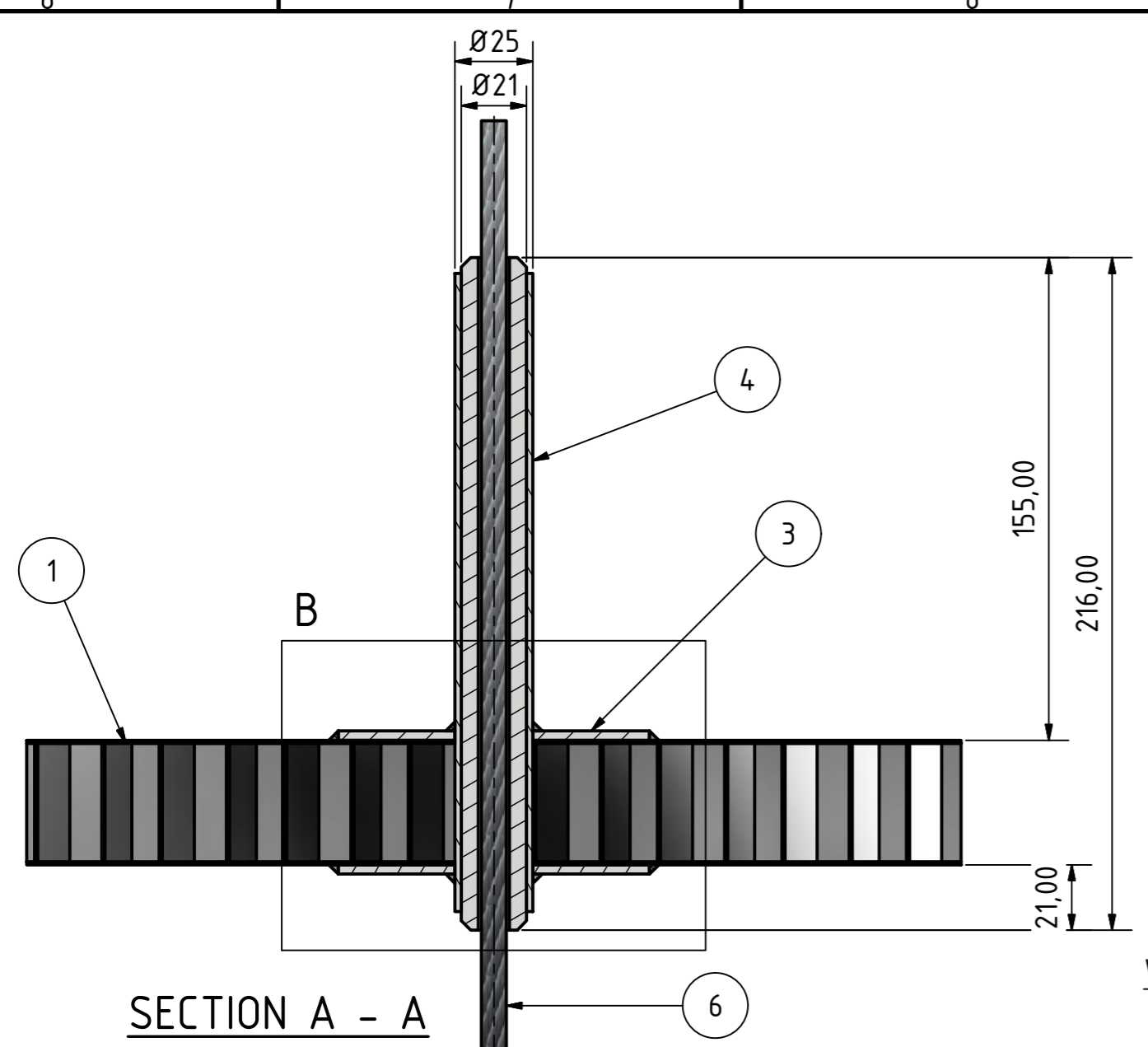


PARTS LIST			
ITEM	QTY	PART NUMBER	DESCRIPTION
1	2	Core Panel	Aluminium
2	1	Core	Aluminium
3	2	Part10	Aluminium
4	1	Part11	Aluminium
5	1	Part12	Aluminium
6	1	Rope	Stainless Steel



AKTEK
 AKTEK TECHNOLOGY ENGINEERING CO.LTD.
 Kocaeli - TURKEY
 Tel : +90.262.335-1598 / 1599
 Fax : +90.262.335-1567
 E-Mail : info@aktekeng.com

DRAWN	Murat YAVUZ				
CHECKED	Ihsan AKGUN				
APPROVED					
FORMAT	DWG	SCALE			
DRAWING NO :		REVISION NO			
JOB NO :		REV.	DESCRIPTION	NAME	DATE
REVISIONS					

ATECO
 TANK TECHNOLOGIES
 Equipments-Services-Engineering
 www.ateco.com.tr

THIS DRAWING IS THE PROPERTY OF AKTEK. IT IS NOT TO BE TRACED, COPIED OR PUBLISHED WITHOUT THEIR WRITTEN CONSENT OR TO BE MISUSED IN ANY WAY.

PROJECT		CHECKED	
OWNER		APPROVED	
CLIENT		DATE	
DESCRIPTION :	ANTI ROTATION SYSTEM GENERAL ARRANGEMENT DRAWING		
DOCUMENT NO :	X	REVISION NO	0
PURCHASE NO :	X		