

LEG SOCK

EXTERNAL FLOATING ROOF
EMISSION CONTROL DEVICES



ATECO TANK TECHNOLOGIES ENGINEERING CO.LTD.

www.atecotank.com

EXTERNAL FLOATING ROOF LEG SOCK

Type	Emission Control Device
Description	Leg Sock
Used On	External Floating Roof Tank Legs
Size	2",3",4",6",8" Length : 1000 mm to 2000 mm
Service	Suitable For All Products
EPA Compliant	Yes
API Compliant	Yes
Aromatic Service	100%
Typical Service Life	10-15 Years
Weight	0,6 Kg's/set. (Sock and Clamp.)

DESIGN

ATECO Leg Socks (floating roof leg socks) are designed to prevent product loss caused by vapors escaping from Floating Roof support legs. Leg Socks / Leg Socks also serve the important function of allowing tanks to meet environmental regulations. The interior and exterior of the Leg Sock work together to provide resistance against product loss as well as environmental effects from outside the tank. ATECO's Leg Socks provide the following features.

Product Description

ATECO Leg Socks / Leg Socks are made using ATECOTHANE or ATECON . Material specifications are available to virtually eliminate emissions from floating roof leg supports. ATECO's design far exceeds emission reduction estimates, such as estimates for "deck legs with sock" contained in API MPMS 19.2).

ATECO Leg Socks reduce vapors from escaping through Floating Roof legs while reducing hydrocarbon emissions as required by regulatory agencies. Leg Socks are instrumental in preventing product loss when used on non-gasketed, adjustable roof support legs.

Product Features

- Meet or exceeds environmental regulations.
- Compatible for 100% aromatics, neat M.T.B.E. and gasohol
- Resist U/V, water and ozone effects from outside tank
- Can be installed while tank is in-service.
- Very easy to install and remove.
- May be used with either "U-type" or "T-bar" leg handles.
- Standard sizes, configurations and custom designs are available.
- Seams are R/F factory welded.

Installation

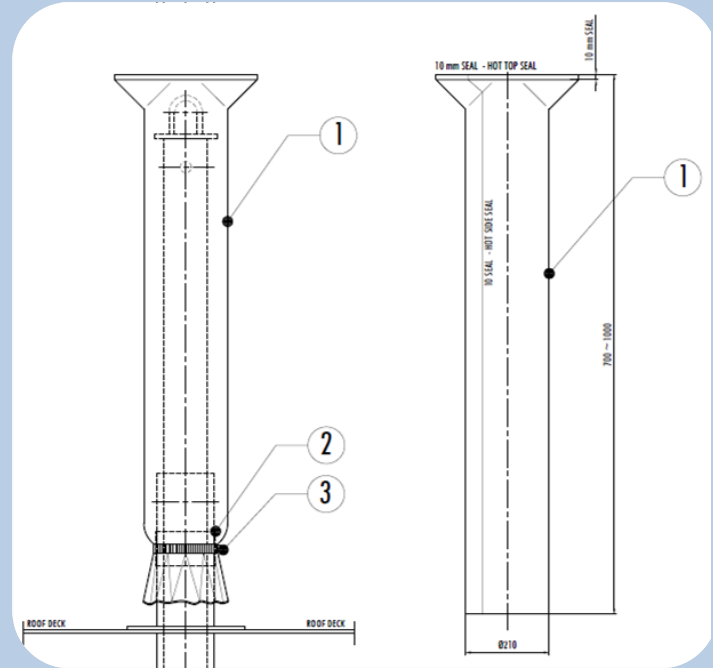
The leg sock is easy to install and easily removed in order to either pull or push the legs to another position, subject to operational requirements for the tank involved

Leg Sizes Covered

Leg socks are available for 3" and 4" floating roof legs. It is required to verify exact leg details prior to fitting the leg socks however, this to identify suitability as leg penetrations typically are individually designed for each new tank, so sizing might be different for the same leg diameter

MATERIAL

Sock	700 gr/m ² . Polyurethane 1200 gr/m ² . Polyurethane 0,23 mm FEP-Teflon Viton, Chlorosulfonated Polyethylene NPVC/NBR, XNBR
Clamp	Stainless Steel Worm Drive Clamp
Gasket	Polyethylene 50 mm wdt. x 5 mm Thk.



GUARANTEE

ATECO TANK ENGINEERING warrants all leg socks to be free from defects in the material and workmanship for a period of two years.

OTHER EMISSION CONTROL SOLUTIONS

- Gauge Pole Cover
- Leg Seals
- Spill Stoper For Roof Drain System
- Seal Systems
- Emergency Drain Floated Valve
- Gauge Pole Retriever Device
- Gauge Pole Sleeve
- Gauge Pole Float
- Pontoon Air Bag
- Gauge Pole Float Basin
- Special Customer Requirements



**ATECO TANK TECHNOLOGIES
ENGINEERING CO.LTD.**

Yazlık Yeni Mah. Başögretmen Cad. No:46
Gölcük 41200 KOCAELI-TURKEY

Tel : +90.262.3351598 – 3351599 Fax : 90.262.3351567

www.atecotank.com info@atecotank.com