

3"

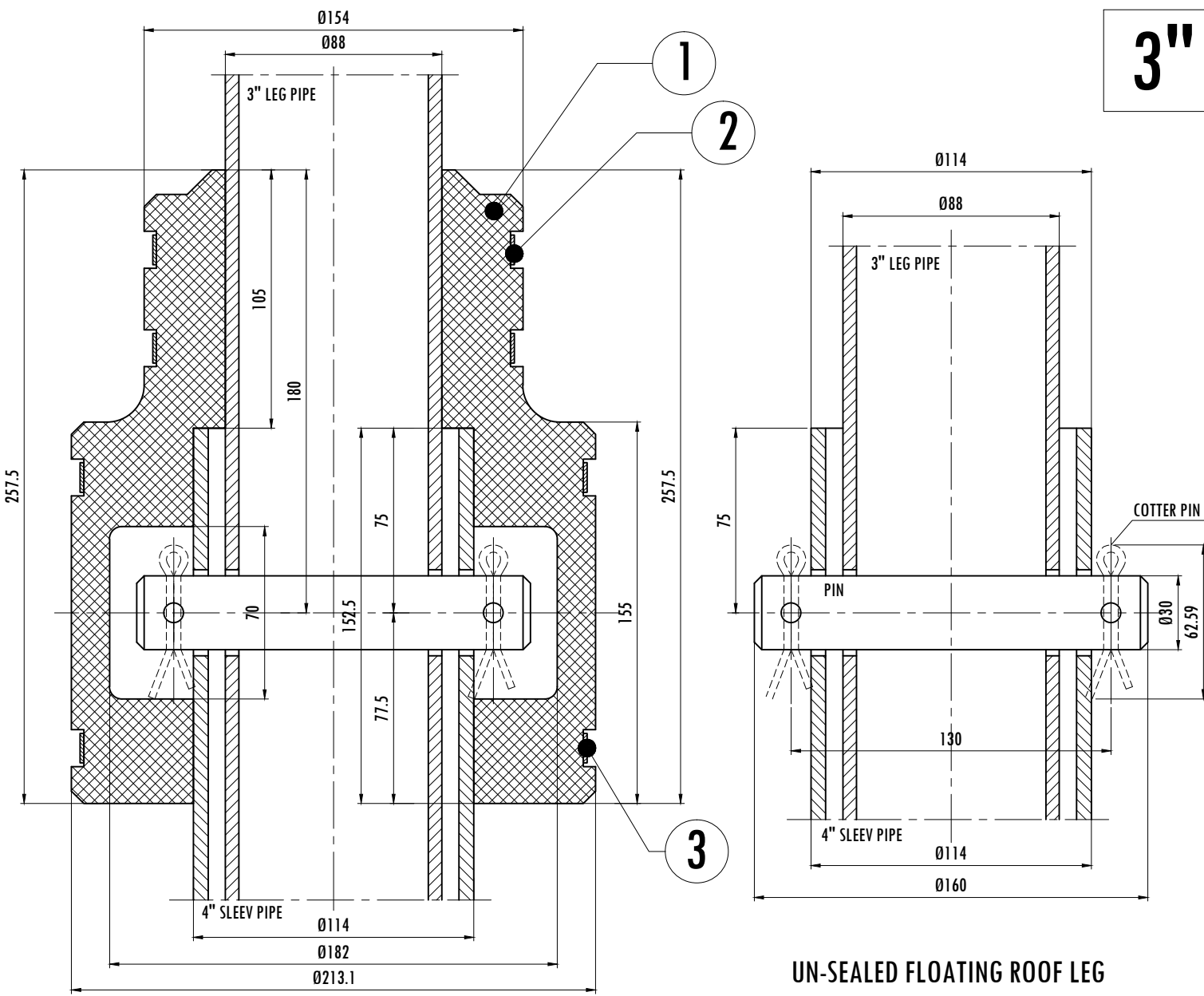
PART LIST

Item No	Description	Specification	RUBBER	POLYURETHANE
1	Leg Seal Circular Parts		EPDM	
2	Leg Pipe Screw Driven Clamp		SS304	
3	Sleeve Pipe Screw Driven Clamp		SS304	
4	Leg Pipe Pin Hole Plug Seal		EPDM	

Seal Type	External Floating Roof Leg Emission Control
Description	Leg Seal
Used On	External Floating Roof Tanks.
Used Space	Leg Pipe : 3" - 88,9 mm , Sleeve Pipe : 4" -114,3 mm
Service	Suitable for products with correct material selection.
API650 Compliant	Yes
Codres Compliant	Yes
Weight	6 Kg's/set (Typical based on 3" Leg Design)

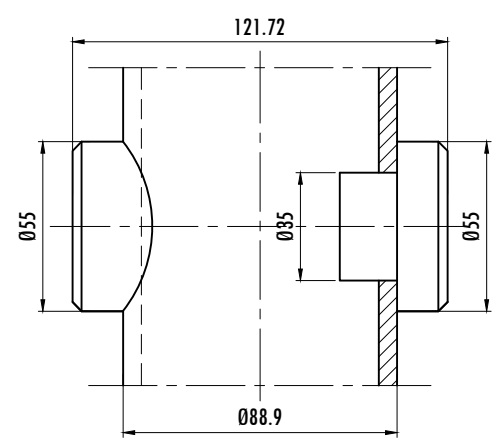
CUSTOMER SPECIAL DIMENSIONS

Item No	Item No
ØDP	
ØDS	
ØP	
H1	
H2	
H3	
H4	
H5	
H6	
H7	
X1	
X2	
X3	
Y1	
Y2	
Y3	

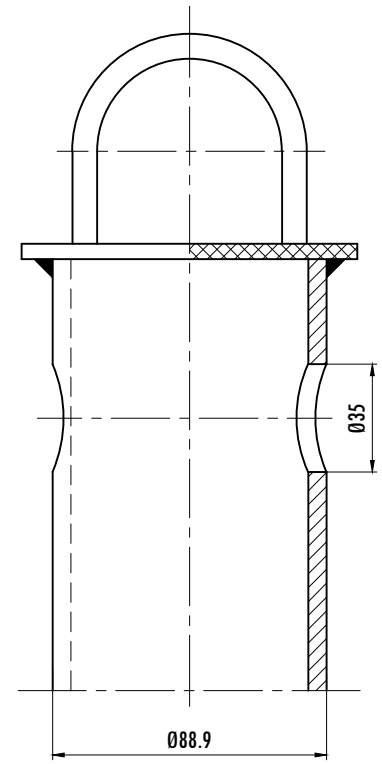


SEALED FLOATING ROOF LEG

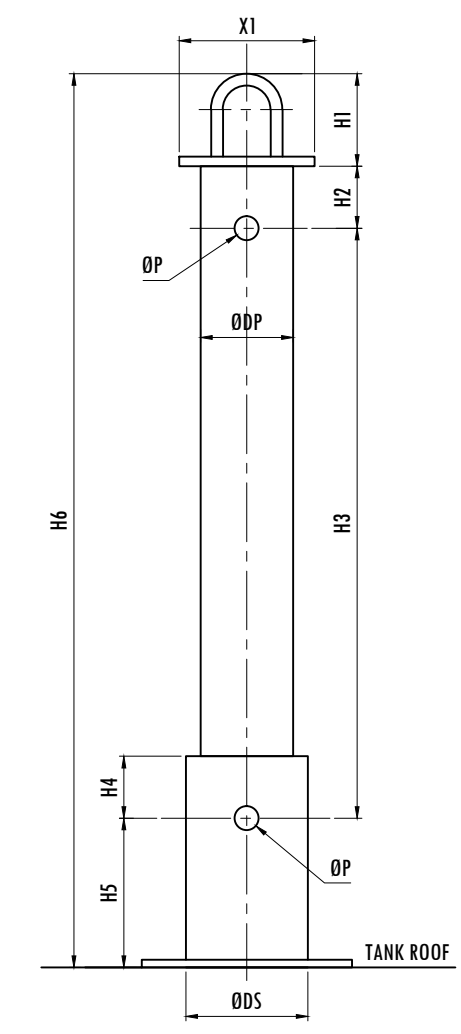
UN-SEALED FLOATING ROOF LEG



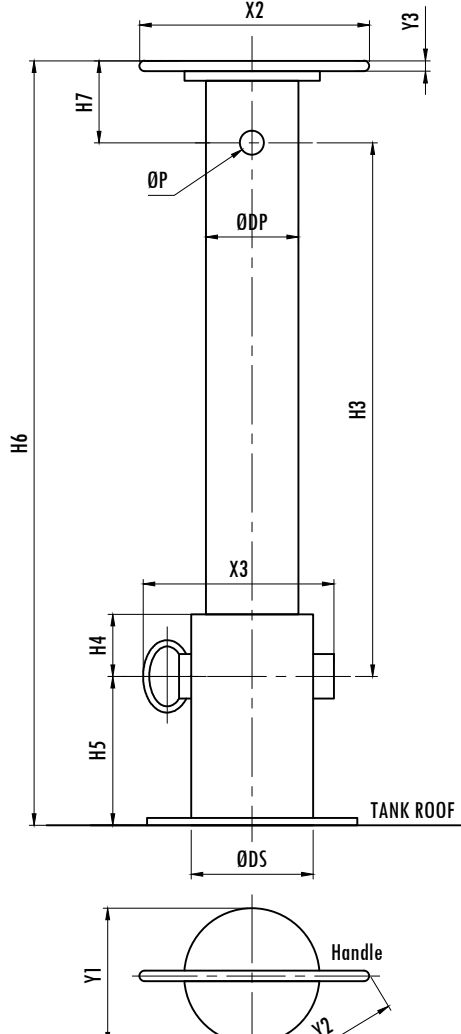
LEG PIPE PIN HOLE PLUG



LEG PIPE PIN HOLE UN-PLUG



HORSE SHOE HANDLE



T-BAR HANDLE

PROFILE IN LOW DECK POSITION



www.ateco.com.tr

DATE	DRANK	PCNR	QTY	NAME	MATERIAL	STANDARD / REMARKS																												
THIS DRAWING IS THE PROPERTY OF ATECO. IT IS NOT TO BE TRACED, COPIED OR PUBLISHED WITHOUT THEIR WRITTEN CONSENT OR TO BE MISUSED IN ANY WAY.																																		
ATECO Tank Technologies Equipments - Services - Project Engineering																																		
<table border="0"> <tr> <td>Measures without tolerance :</td> <td></td> <td></td> <td></td> <td></td> <td></td> <td></td> </tr> <tr> <td>></td> <td>0</td> <td>4</td> <td>30</td> <td>100</td> <td>318</td> <td></td> </tr> <tr> <td>:</td> <td>0</td> <td>30</td> <td>100</td> <td>318</td> <td>1000</td> <td></td> </tr> <tr> <td>+</td> <td>0.1</td> <td>0.2</td> <td>0.3</td> <td>0.5</td> <td>0.8</td> <td></td> </tr> </table>							Measures without tolerance :							>	0	4	30	100	318		:	0	30	100	318	1000		+	0.1	0.2	0.3	0.5	0.8	
Measures without tolerance :																																		
>	0	4	30	100	318																													
:	0	30	100	318	1000																													
+	0.1	0.2	0.3	0.5	0.8																													
<p>LS-100 EXTERNAL FLOATING ROOF 3" LEG SEAL</p>						<p>DRAWN : OSMAN AKGUN CHECKED : IHSAN AKGUN FORMAT : DWG SCALE : NA DRAWING NO : ASS-2010155 REVISION NO : 0</p>																												
						ASS-2010155/3																												