

**ATECO TANK TECHNOLOGIES ENG CO.LTD.**

Yazlik Yeni Mah. Basogretmen Cad. No:46 41650  
41200 Golcuk KOCAELI TURKEY  
Tel : +90.262.3351598 Fax : +90.262.3351567  
E-Mail : [info@atecotank.com](mailto:info@atecotank.com) Web : [www.atecotank.com](http://www.atecotank.com)

Form No

Rev.No

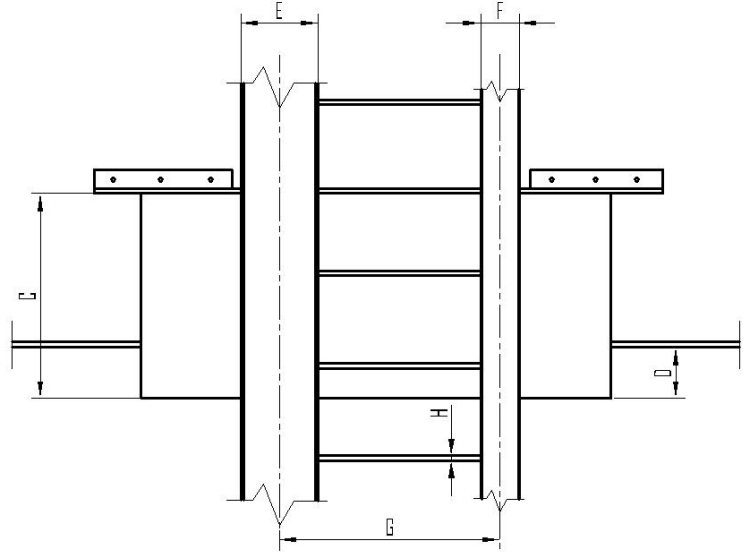
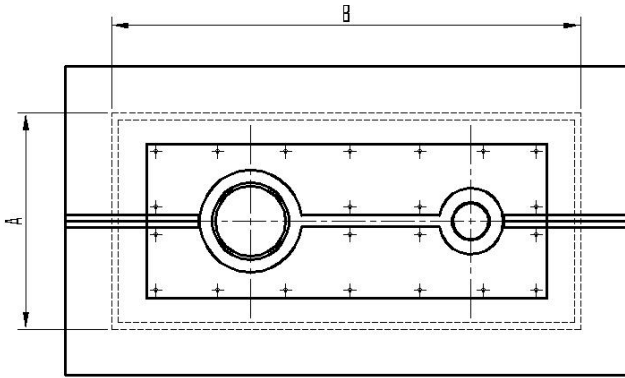
Date

Prepared By

## LADDER WELL / GAUGE POLE SLEEVE DATASHEET

Client		Tank No	
Contact Person		Tank Location	
Region		Tank Diameter	
Inspected By		Tank Height	
Inspection Date			
Job No			

LADDER SLEEVE AND COVER PLATE MATERIAL	<input type="checkbox"/> STAINLESS STEEL	<input type="checkbox"/> ALUMINIUM
IS WELL REQUIRED	<input type="checkbox"/> Yes	<input type="checkbox"/> No
WIDTH OF LADDER WELL (DISTANCE "A")		
LENGTH OF LADDER WELL (DISTANCE "B")		
DEPTH OF LADDER WELL (DISTANCE "C")		
DEPTH OF PRODUCT IN LADDER WELL (DISTANCE "D")		
SIZE OF LARGE PIPE ("E")		
SIZE OF SMALL PIPE ("F")		
CENTER TO CENTER DISTANCE OF PIPES (DISTANCE "G")		
SIZE OF RUNG ("H")		

**ADDITIONAL INFORMATION****SPECIAL JOB COMMENTS**