

EXTERNAL  INTERNAL  FLOATING ROOF  PRODUCT  SPECIAL CONSIDERATIONS

DP GAUGE POLE NOMINAL SIZE  6"  8"  10"  12" OTHER :

LH DISTANCE FROM TOP OF FLOATING ROOF VERTICALLY DOWN TO TANK BOTTOM (ROOF IN THE LOW DECK POSITION)

H TANK HEIGHT AT SHELL (TOP OF TANK)

HH MAXIMUM ROOF FILLING POSITION

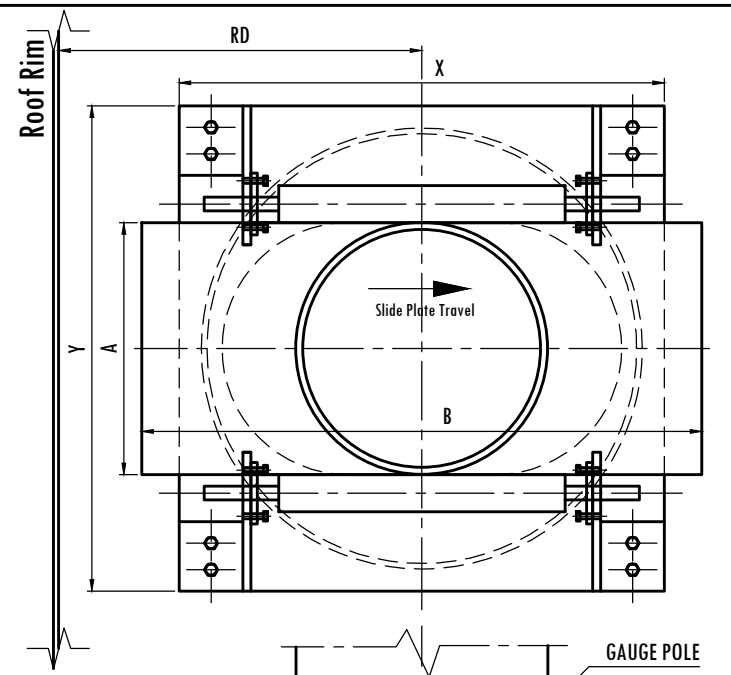
MAXIMUM HORIZONTAL ROOF TRAVEL

PART LIST

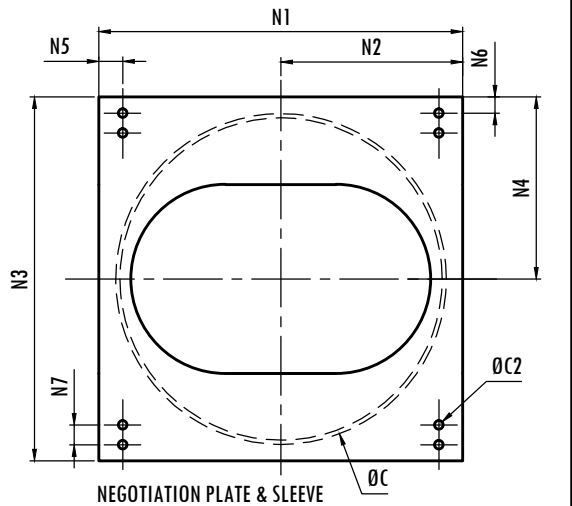
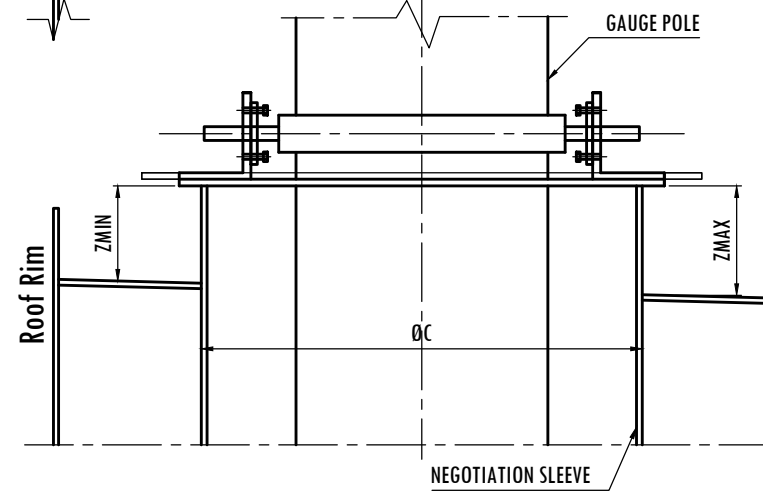
Item No	Description	Specification	PVC	POLYURETHANE
1	GAUGE POLE COVER		PVC	PU
2	GAUGE POLE COVER Screw Driven Clamps		SS304	SS304
3	TRANSITION BOX		SS304	SS304

Type	Floating Roof Gauge Pole Emission Control
Description	Floating Roof Gauge Pole Cover
Used On	External/Internal Floating Roof Tanks.
Used Space	Gauge Pole Size 6"-8"-10"-12"-14"-16"-18"
Service	Suitable for products with correct material selection.
API650 Compliant	Yes
Codres Compliant	Yes
Weight	55 Kg's/set (Typical based on 12" Gauge Pole Cover)

GAUGE POLE WELL DIMENSION FOR TRANSITION BOX



Item No	Item No	Item No	Item No
RD		N1	
X		N2	
Y		N3	
A		N4	
B		N5	
ZMIN		N6	
ZMAX		N7	
ØC		ØC2	



GAUGE POLE WELL ASSEMBLY

**ATECO**  
TANK TECHNOLOGIES  
Equipments-Services-Engineering  
www.ateco.com.tr

DATE	PCNR	QTTY	NAME	MATERIAL	STANDARD / REMARKS

THIS DRAWING IS THE PROPERTY OF ATECO. IT IS NOT TO BE TRACED, COPIED OR PUBLISHED WITHOUT THEIR WRITTEN CONSENT OR TO BE MISUSED IN ANY WAY.

ATECO Tank Technologies  
Equipments - Services - Project Engineering

DEFINITION: Measures without tolerance: > 0 0.30 0.50 0.75 1.00 1.50 2.00 3.00 4.00 5.00 6.00 8.00 10.00 15.00 20.00 30.00 40.00 50.00 60.00 80.00 100.00 150.00 200.00 300.00 400.00 500.00 600.00 800.00 1000.00  
Fit to reference: 0.1 0.2 0.3 0.5 0.7 1.0 1.5 2.0 3.0 4.0 5.0 6.0 8.0 10.0 15.0 20.0 30.0 40.0 50.0 60.0 80.0 100.0 150.0 200.0 300.0 400.0 500.0 600.0 800.0 1000.0  
MCD: 00 0448-1960

DRAWN : OSMAN AKGUN  
CHECKED : IHSAN AKGUN  
FORMAT : DWG SCALE : NA  
DRAWING NO :  
REVISION NO : 0

**GAUGE POLE COVER & TRANSITION BOX DATASHEET**

**AEC-GPC-100**