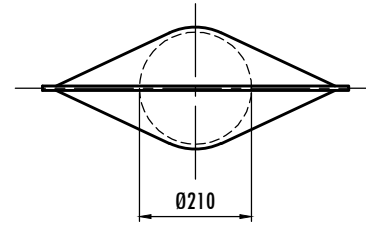


SOCK MOUNTED ON SUPPORT LEG



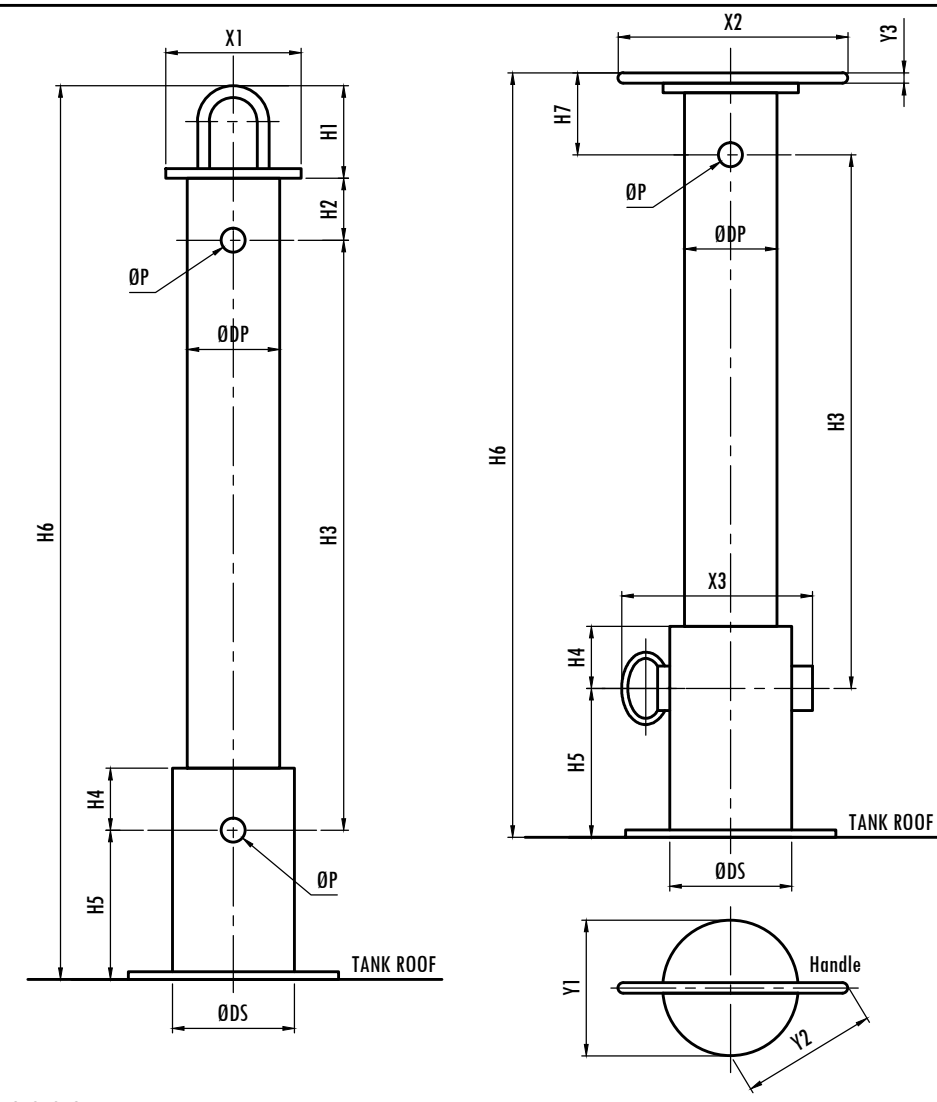
PART LIST

Item No	Description	Specification	RUBBER	POLYURETHANE
1	SOCK FABRIC			POLYURETHANE
2	VOLARA TYPE			POLYETHYLEN
3	JUBILEE CLIP			SS304

PROPERTIES

Using	External Floating Roof Leg Emission Control
Description	Leg Sock
Used On	External Floating Roof Tanks.
Used Space	Leg Pipe : 3" - 88,9 mm , Sleev Pipe : 4" - 114,3 mm
Service	Suitable for products with correct material selection.
API650 Compliant	Yes
Codres Compliant	Yes
Weight	0,5 Kg's/set (Typical based on 3" Leg Design)

CUSTOMER SPECIAL DIMENSIONS



Item No	Item No
ØDP	
ØDS	
ØP	
H1	
H2	
H3	
H4	
H5	
H6	
H7	
X1	
X2	
X3	
Y1	
Y2	
Y3	

HORSE SHOE HANDLE

T-BAR HANDLE

PROFILE IN LOW DECK POSITION



www.ateco.com.tr

DATE	PCNR	QTTY	NAME	MATERIAL	STANDARD / REMARKS																		
<p>THIS DRAWING IS THE PROPERTY OF ATECO. IT IS NOT TO BE TRACED, COPIED OR PUBLISHED WITHOUT THEIR WRITTEN CONSENT OR TO BE MISUSED IN ANY WAY.</p> <p>ATECO Tank Technologies Equipments - Services - Project Engineering</p>																							
<p>DEFINITION</p> <table border="1"> <tr> <td>></td> <td>0</td> <td>5</td> <td>30</td> <td>100</td> <td>318</td> </tr> <tr> <td>:</td> <td>6</td> <td>30</td> <td>100</td> <td>318</td> <td>1000</td> </tr> <tr> <td>+</td> <td>0,1</td> <td>0,2</td> <td>0,3</td> <td>0,5</td> <td>0,8</td> </tr> </table> <p>Fig. 10 - Information : ISO 8448-1998</p>				>	0	5	30	100	318	:	6	30	100	318	1000	+	0,1	0,2	0,3	0,5	0,8	<p>DRAWN : OSMAN AKGUN CHECKED : IHSAN AKGUN FORMAT : DWG SCALE : NA DRAWING NO : ASS-2010155 REVISION NO : 0</p>	
>	0	5	30	100	318																		
:	6	30	100	318	1000																		
+	0,1	0,2	0,3	0,5	0,8																		
<p>LS-50 EXTERNAL FLOATING ROOF 3" LEG SOCK</p>				<p>ASS-2010155/3</p>																			