

**ATECO TANK TECHNOLOGIES ENGINEERING CO.**

Yeni Bursa Yolu Üzeri. Aksoy Alüminyum Yanı. Vezirciftligi Mevkii.
41200 Kullar-İZMİT KOCAELİ TURKEY
Tel : +90.262.3351598 Fax : +90.262.3351567
E-Mail : info@ateco.com.tr Web : www.ateco.com.tr

Offer No		Spec.No.	
Prepared by		Job No.	
Approved by		Rev.	
Sheet		Date	

BENDMASTER ROOF DRAIN SYSTEM DATASHEET

The following information is required for length selection and lay pattern installation.

Client		Unit.	
Location		Order No.	
Request No.		Job No.	
Order No.		Model No.	
Vendor		Tank Quantity	
Vendor Drawing No.			

GENERAL

1	Item No						
2	Location of Tank						
3	Type of Tank						
4	Product						
5	Tank Dimensions	Diameter		mt.	Height		mt.
6	Product Temperature						
7	BENDMASTER Size (3"-4"-6"-8")						

DESIGN

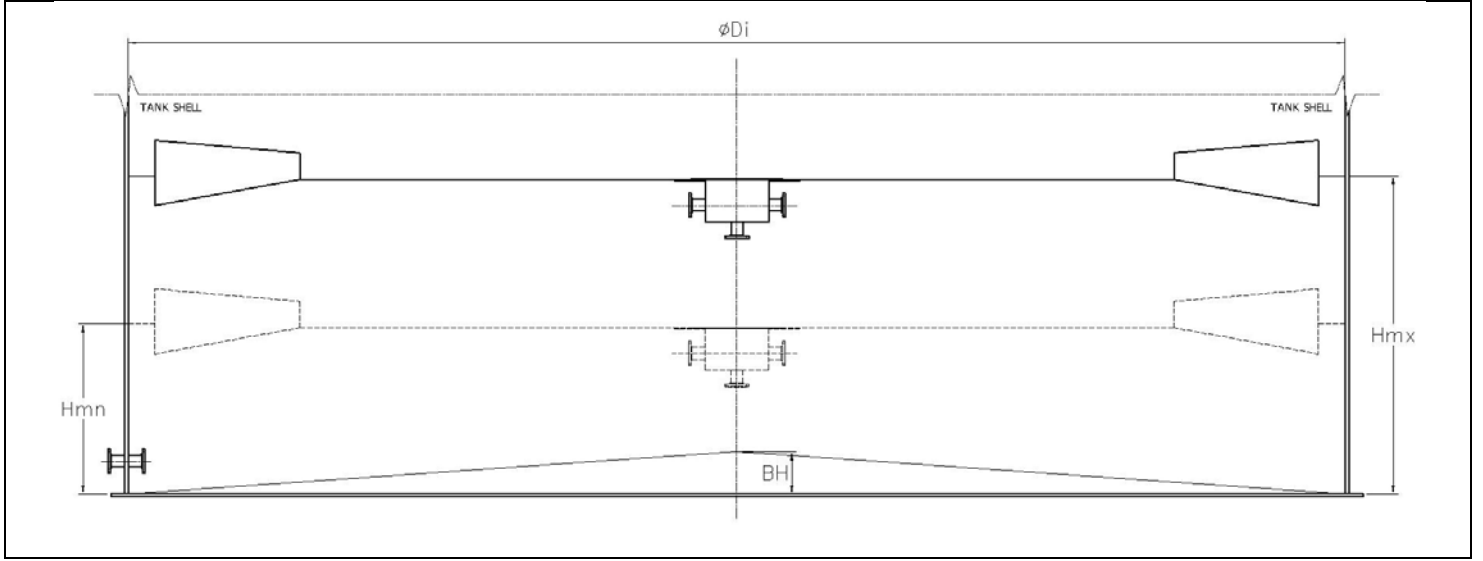
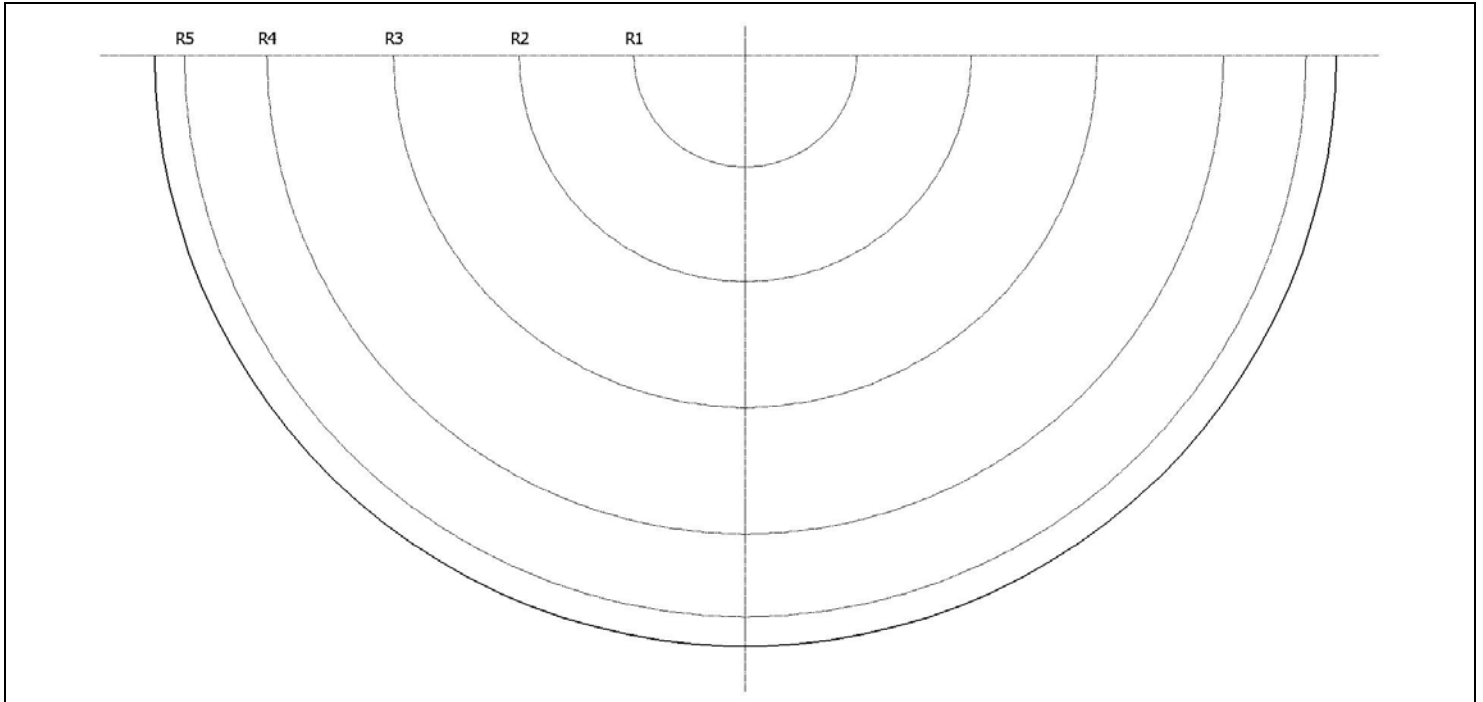
8	BENDMASTER Water Drain Pipe Size				
9	Low Leg Height				
10	High Leg Height				
11	Shell Outlet Nozzle Size				
12	Sump Outlet Nozzle Size				
13	Distance from inside shell to face of shell outlet nozzle flange				
14	Distance from tank bottom to center line of shell outlet nozzle flange				
15	For sump nozzle location circle sump outlet flange A,B,C,D or detail other If location is "A", Is customer willing to relocate nozzle to position "C" ?	<input type="checkbox"/> Yes		<input type="checkbox"/> No	
16	Is hot work permitted inside of tank ?	<input type="checkbox"/> Yes		<input type="checkbox"/> No	
17	Distance from center line of roof to face of sump outlet nozzle flange (Distance will be 0 if sump nozzle location is type "B")				
18	Distance from underside of roof to center line or face of sump outlet nozzle				
19	Rise in tank bottom (Will be negative for bottoms sloped down to center)				
20	Distance from underside of roof to theoretical tank bottom (Low leg clearance dimension)				
21	Sump Dimensions	Sump Diameter		Depth of Sump	
22	Show the following using the diagrams on Page 2:				
23	Location of legs, floor sumps, vents and valves in area of drain.				
24	Location of internal piping and its ID, swinglines, fill lines, etc.				
25	Location of shell nozzle on outside of tank				
26	Location of roof drain sump in relation to tank center				
27	Length and location of existing pipe extensions (roof and floor)				

	INSPECTED BY	
	Date	
	Name	
	Signature	

**ATECO TANK TECHNOLOGIES ENGINEERING CO.**

Yeni Bursa Yolu Üzeri. Aksoy Alüminyum Yanı. Vezirciftligi Mevkii.
41200 Kullar-İZMIT KOCAELİ TURKEY
Tel : +90.262.3351598 Fax : +90.262.3351567
E-Mail : info@ateco.com.tr Web : www.ateco.com.tr

Offer No		Spec.No.	
Prepared by		Job No.	
Approved by		Rev.	
Sheet		Date	

TANK SECTION**ROOF LEG ORIENTATION**

Radius	Number of Legs in row	Radius	Number of Legs in row
R1		R1	
R2		R2	
R3		R3	
R4		R4	
R5		R5	

	INSPECTED BY	
	Date	
	Name	
	Signature	



ATECO TANK TECHNOLOGIES ENGINEERING CO.

Yeni Bursa Yolu Üzeri. Aksoy Alüminyum Yanı. Vezircifligi Mevkii.

41200 Kullar-IZMIT KOCAELI TURKEY

Tel : +90.262.3351598 Fax : +90.262.3351567

E-Mail : info@ateco.com.tr Web : www.ateco.com.tr

Offer No

Prepared by

Approved by

Sheet

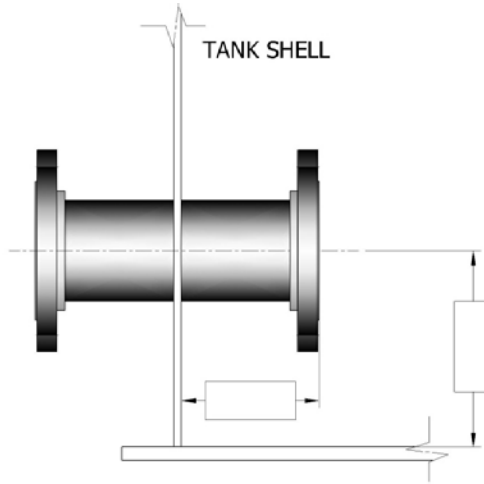
Spec.No.

Job No.

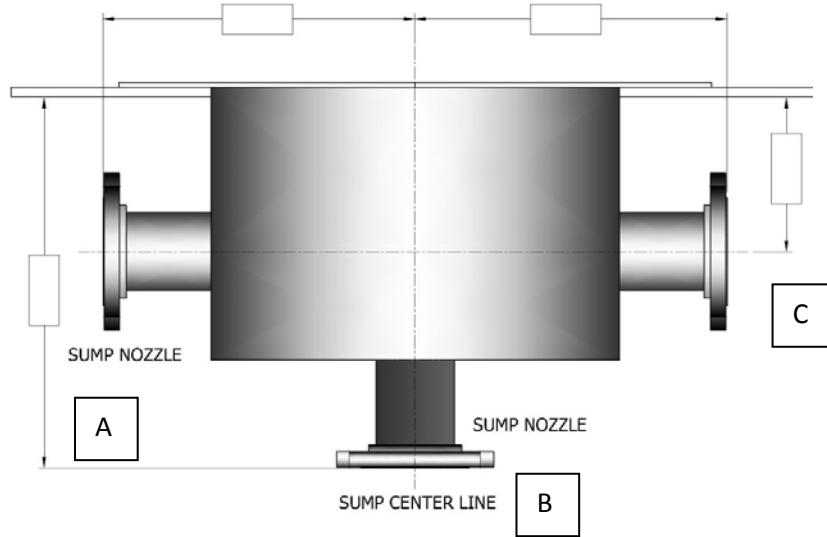
Rev.

Date

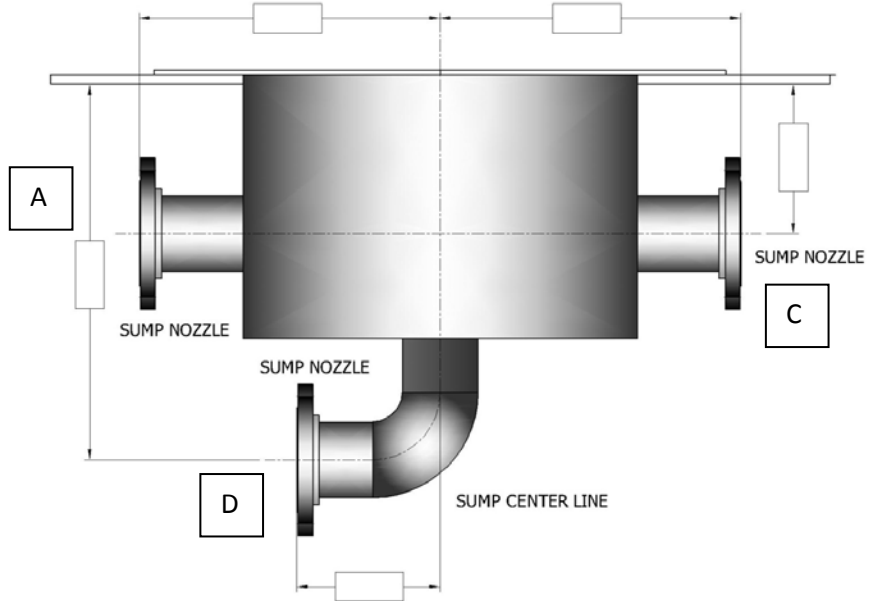
SHELL NOZZLE - FIGURE-3



SUMP NOZZLE - FIGURE-4



SUMP NOZZLE FIGURE-5



INSPECTED BY

Date

Name

Signature